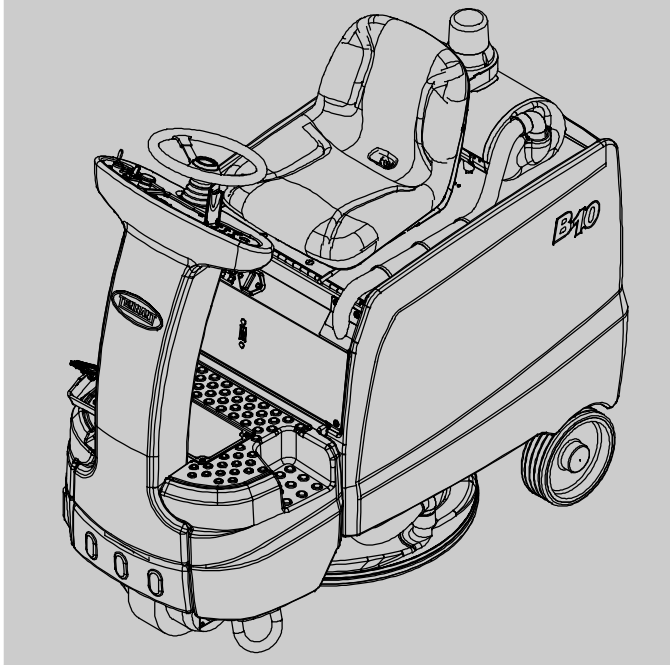
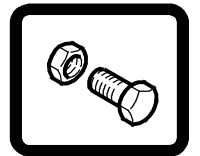




# B10

Rider Burnisher

## Parts Manual



**TennantTrue® Parts**



For the latest Parts manuals and other language Operator manuals, visit:

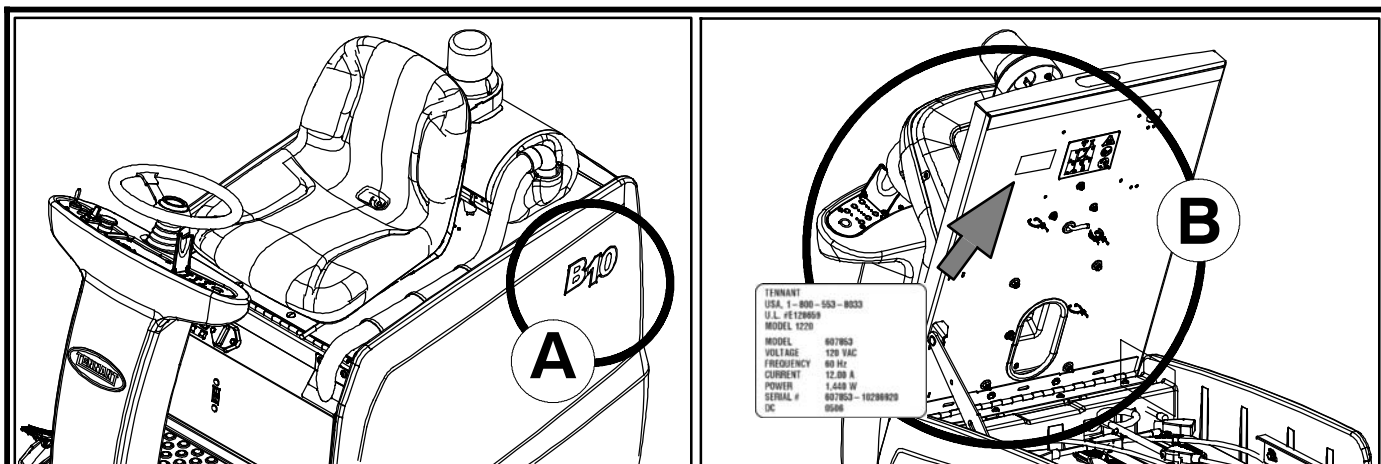
[www.tennantco.com/manuals](http://www.tennantco.com/manuals)

**North America / International**

[www.tennantco.com](http://www.tennantco.com)

9010729  
Rev. 03 (03-2016)





Ref	Part No.	Serial Number	Description	Qty.
1	82681	(000000- )	Bracket Wldt, Lpg Mount	1
▽ 2	63810	(000000- )	Latch Assy, Lpg Tank Mtg, W/Nut	4
▲ 3	51839	(000000- )	Nut Adjustable, Lpg Tank Mtg	2
4	49263	(000000- )	Tie, Cable	3
(D)	82556	(000000- 001039)	Bracket, Vaporizer	1
	54930	(000000- )	Vaporizer, LPG	1

**HOW TO ORDER PARTS - See diagram above**

Only use TENNANT Company supplied or equivalent parts. Parts and supplies may be ordered online, by phone, by fax or by mail.

Follow the steps below to ensure prompt delivery.

1. (A) Identify the machine model.
2. (B) Identify the machine serial number from the data label.
3. (C) Ensure the proper serial number is used from the parts list.
4. Identify the part number and quantity. Do not order by page or reference numbers.
5. Provide your name, company name, customer ID number, billing and shipping address, phone number and purchase order number.
6. Provide detail shipping instructions.

- (D) ▽ - identifies an assembly  
 ▲ - identifies parts included in assembly

**Please fill out at time of installation for future reference.**

Model No. - \_\_\_\_\_

Serial No. - \_\_\_\_\_

Machine Options - \_\_\_\_\_

Sales Rep. - \_\_\_\_\_

Sales Rep. phone no. - \_\_\_\_\_

Customer ID Number - \_\_\_\_\_

Installation Date - \_\_\_\_\_

**Tennant Company**  
 PO Box 1452  
 Minneapolis, MN 55440 USA  
 Phone: (800) 553- 8033 or  
 (763) 513- 2850  
 www.tennantco.com

**Tennant Company N.V.**  
 Industrielaan 6 5405 AB  
 P.O. Box 6 5400 AA  
 Uden- The Netherlands  
 europe@tennantco.com  
 www.tennantco.com

Specifications and parts are subject to change without notice.

Copyright © 2013 - 2016 TENNANT Company, Printed in U.S.A.

**STANDARD PARTS**

GENERAL RECOMMENDED MAINTENANCE ITEMS .....	4
PAD DRIVER GROUP, 610 MM (24 IN) .....	6
PAD DRIVER GROUP, 686 MM (27 IN) .....	8
MAIN FRAME GROUP .....	10
SEAT GROUP .....	12
STEERING GROUP .....	14
INSTRUMENT PANEL GROUP .....	16
FRONT DRIVE WHEEL GROUP .....	18
BRAKE AND ACCELERATOR PEDAL GROUP (S/N 10644214- ) .....	20
BRAKE AND ACCELERATOR PEDAL GROUP (S/N 00000000- 10644213) .....	22
HEAD LIFT GROUP .....	24
MAIN HOUSING GROUP .....	26
FRONT SHROUD GROUP .....	28
ELECTRICAL PANEL GROUP .....	30
ELECTRICAL COMPONENTS GROUP .....	32
CIRCUITBOARD GROUP .....	34
ACTIVE DUST CONTROL GROUP .....	36
BATTERY GROUP, WET 435AH .....	38
ON- BOARD CHARGER GROUP .....	40
LABEL GROUP .....	42
ELECTRICAL SCHEMATIC .....	44
HARNESS GROUP, MAIN .....	46
HARNESS GROUP, MAIN - CONT'D .....	47
HARNESS GROUP, MOTOR .....	49
HARNESS GROUP, CONTROL BOARD .....	50
HARNESS GROUP, LIGHT .....	51
HARNESS GROUP, ALARM .....	52
HARNESS GROUP, MOTOR BRAKE .....	53

**OPTIONS**

BATTERY GROUP, AGM 390AH .....	54
OFF- BOARD CHARGER GROUP .....	56
HYDROLINK® BATTERY WATERING SYSTEM KIT .....	58
FLASHING LIGHT KIT .....	60
WALL ROLLER (686 MM / 27 IN HEAD) GROUP .....	62

**BREAKDOWNS**

ACTIVE DUST CONTROL BREAKDOWN, 1200929 .....	64
FRONT DRIVE WHEEL BREAKDOWN, 9008999 .....	66
STEERING CONTROL BREAKDOWN, 1019724 .....	68

# GENERAL RECOMMENDED MAINTENANCE

## GENERAL RECOMMENDED MAINTENANCE ITEMS

	Part No.	Serial Number	Description	Qty.
▽	9013143	(00000000-	) Motor Kit, Burnish, Replmt [B10]	1
▲	1206641	(00000000-	) Brush Assy, Carbon, Afmkt (Includes Qty 8- Carbon Brushes, 8- Springs & 2- Electrical Terminals)	1
	00928	(00000000-	) Key, Sq, 0.25 X 0.25, 1.00l	1
	1205730	(00000000-	) Shroud Assy, Dust- Cntrl, Stepped, 24.0d	1
	1205728	(00000000-	) Shroud Assy, Dust- Cntrl, Stepped, 27.0d	1
	1200750	(00000000-	) Skirt Assy, Shrd, 24.0d	1
	1200686	(00000000-	) Skirt Assy, Shrd, 27.0d	1
▽	1213331	(00000000-	) Driver Assy, Pad, 24d	1
▽	1213332	(00000000-	) Driver Assy, Pad, 27d	1
▲	32506	(00000000-	) Device, Centering, Rh Pad Retainer	1
▲	1205787	(00000000-	) Collar, Locking, Pad Driver, 6.1"	1
	1204254	(00000000-	) Pad, Burnish, 24.0d, Hairblend [1Pk = 1Pad]	1
	1204255	(00000000-	) Pad, Burnish, 27.0d, Hairblend [1Pk = 1Pad]	1
	9010993	(00000000-	) Bumper, Strip, Afmkt, 3 Ft	1
	1048955	(00000000-	) Switch, Seat, No [Delta 6440- 04]	1
	1202142	(00000000-	) Pad, Rbr, 0.12 X 1.4 X 22.7, Adh	1
▽	1011402	(00000000-	) Switch, Key	1
▲	1017696	(00000000-	) Key Set, Replmt [F/ Keyswitch 1011402]	1
	1018505	(00000000-	) Horn, 12- 48vdc [88.5 Decibels]	1
	9014886	(00000000-	) Actuator Kit, Install, Afmkt [B10]	1
	1205672	(00000000-	) Spring, Extn, 1.211od 0.200wir 05.5l	2
	1202188	(00000000-	) Bushing, FIng, 0.63b 0.75d 0.63l, Bnz	2
	1014020	(00000000-	) Roller, Lift, Dual Disk Head	2
	1202820	(00000000-	) Spring, Comp, 0.520b, 3.95l	2
	1202539	(00000000-	) Bushing, FIng, Ss, 0.404b 0.612d 0.674l	10
	1202378	(00000000-	) Bushing, 0.63b 0.75d 0.50l, Bnz	8
	1202821	(00000000-	) Spring, Comp, 0.520b, 6.5l	2
	1202544	(00000000-	) Spring, Comp, 0.550id, 0.120wir, 0.850l	2
	1200585	(00000000-	) Shunt, Current, 200a	1
	1203357	(00000000-	) Contactor Assy, 36vdc, 250a, Spst, No	1
	1201381	(00000000-	) Wire, Assy, Cable 16.0 2awg, Red	1
	1201383	(00000000-	) Harness, Battery, Orion	1
▽	9011014	(00000000-	) Circuitboard Kit, Afmkt	1
▲	1030692	(00000000-	) Vr, Fuse, 15a, Replmt	1
▲	1016816	(00000000-	) Pad, Thermal, Heat Sink	1
	1205540	(00000000-	) Boot, Terminal, Battery, 1/0- 2/0ga, Blk	12
	1204146	(00000000-	) Battery, Wet, 06vdc 435ah, W/ Box (Includes Hardware)	6
	1204248	(00000000-	) Battery, Agm, 06vdc 390ah, W/Box (Includes Hardware)	6
	1201394	(00000000-	) Harness, Charger, On Board [Orion]	1
	1201389	(00000000-	) Harness, Charger, Off Board [Orion]	1
	1069053	(00000000-	) Harness, Main [Orion]	1
	1069866	(00000000-	) Harness, Motor, [Orion]	1

▽ ASSEMBLY

▲ INCLUDED IN ASSEMBLY

# GENERAL RECOMMENDED MAINTENANCE

## GENERAL RECOMMENDED MAINTENANCE ITEMS

	Part No.	Serial Number	Description	Qty.
▽	9011001	(00000000-	) Charger Kit, 36vdc 120vac, On- Brd, [Na]	1
▲	1206662	(00000000-	) Fuse, 015a, 250vac [Baf- 15]	1
▲	130155	(00000000-	) Connector, Battery, 6ga 50a, Gray[2cont]	1
▽	9011009	(00000000-	) Charger Kit, 36vdc 120vac, Off- Brd, [Na]	1
▲	1206662	(00000000-	) Fuse, 015a, 250vac [Baf- 15]	1
▲	130155	(00000000-	) Connector, Battery, 6ga 50a, Gray[2cont]	1
	1011735	(00000000-	) Switch, Safety, Shutoff	1
	1072040	(00000000-	) Switch, Rocker, Spst, Paddle	1
	1013132	(00000000-	) Switch, Lever, Snap Actn	1
	222460	(00000000-	) Sleeve, P/M, 0.32b 0.50d 0.5l [430ss]	10
	222178	(00000000-	) Roller, Pyu, 1.88d 0.53b 3.05l	1
	9007784	(00000000-	) Bag, Vacuum, 6 Qt [1pick=1pkg/12 Bags] (Qty 1 Included w/ Machine) (Active Dust Control Model)	1
	9007866	(00000000-	) Bag, Vacuum, 6 Qt [1pk=1ctn/16=192 Bags] (Active Dust Control Model)	1
	9007785	(00000000-	) Bag, Cloth, Afkmt, 6 Qt (Qty 1 Included w/ Machine) (Active Dust Control Model)	1
	9007800	(00000000-	) Filter, Exhaust [1pick=1pkg] (1 Pkg = 6 Filters) (Active Dust Control Model)	1
	9007812	(00000000-	) Filter, Hepa, Fr/ (Active Dust Control Model)	1
	9007802	(00000000-	) Fan, Vacuum, Backpack, Fr(Includes 1- M4x6 Set Screw) (Active Dust Control Model)	1

▽ ASSEMBLY

▲ INCLUDED IN ASSEMBLY



PAD DRIVER GROUP, 610 MM (24 IN)

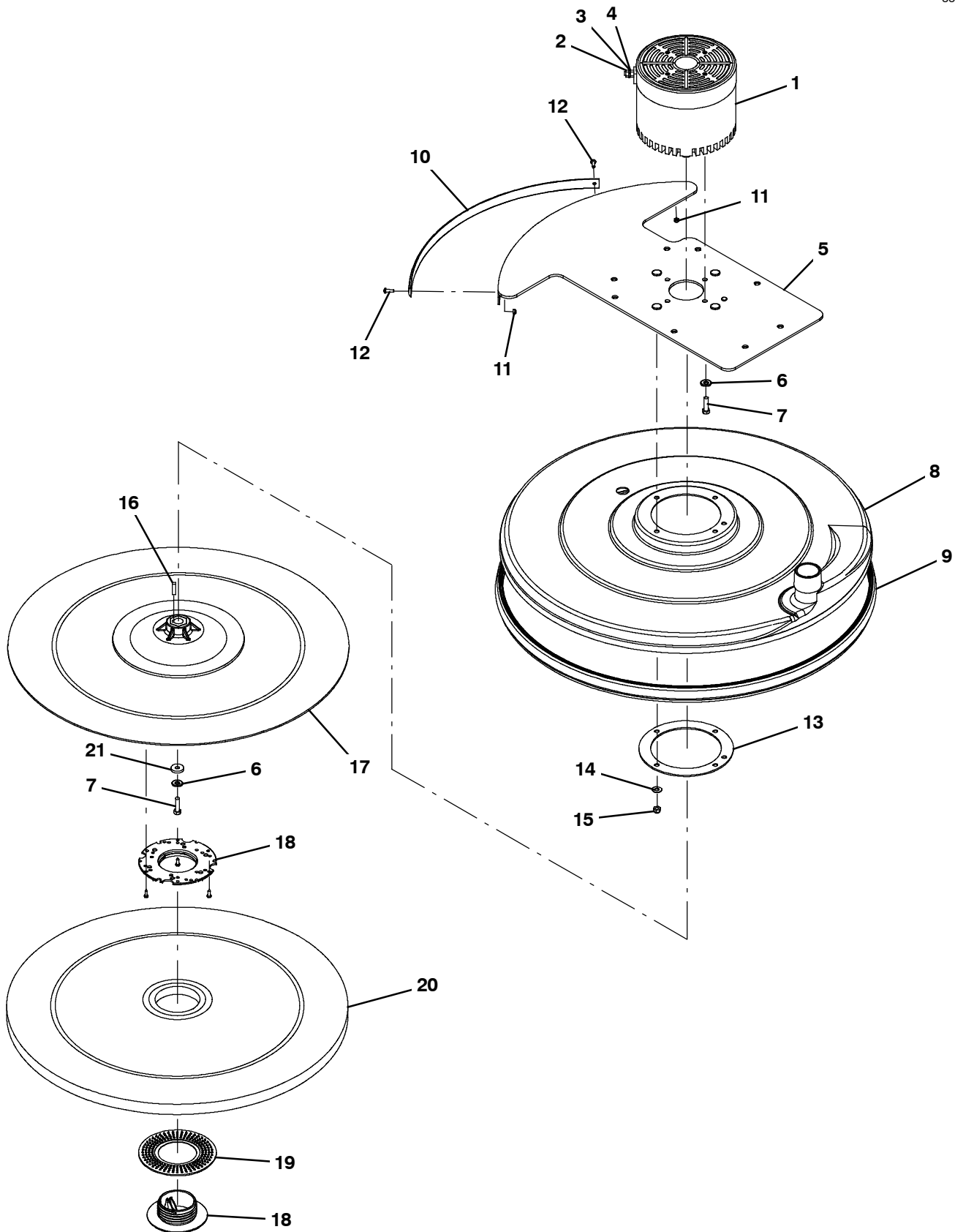
Ref.	Part No.	Serial Number	Description	Qty.
1	1201996	(00000000-	) Screw, Hex, M8 X 1.25 X 140, Ss	2
2	01685	(00000000-	) Washer, Flat, 0.38b 0.88d .08, Ss	4
3	41141	(00000000-	) Washer, Lock, Int- Ext, 0.31	4
4	1028796	(00000000-	) Washer, Flat, 0.33b 1.00d .18, Stl, Pl	5
5	1205469	(00000000-	) Block, Mass, 24in Scrub Head, Long	9
6	9010993	(00000000-	) Bumper, Strip, Afmkt, 3 Ft	1
7	1045487	(00000000-	) Screw, Pan, Phl, M5 X 0.80 X 16, Blk	2
8	09739	(00000000-	) Nut, Hex, Lock, M5 X 0.80, NI, Ss	2
▽	9	9013143	(00000000-) Motor Kit, Burnish, Replmt [B10]	1
▲		1206641	(00000000-) Brush Assy, Carbon, Afmkt (Includes Qty 8- Carbon Brushes, 8- Springs & 2- Electrical Terminals)	1
▲	10	87435	(00000000-) Nut, Hex, Flexlock, .31- 18	2
▲	11	39349	(00000000-) Washer, Flat, 0.31, Sae	2
▲	12	32984	(00000000-) Washer, Lock, Int, 0.31	2
	13	41186	(00000000-) Washer, Flat, Belleville, .31	5
	14	1016399	(00000000-) Screw, Hex, M8 X 1.25 X 30, NI, Ss	5
	15	1205730	(00000000-) Shroud Assy, Dust- Cntrl, Stepped, 24.0d	1
	16	1200750	(00000000-) Skirt Assy, Shrd, 24.0d	1
	17	386299	(00000000-) Screw, Hex, M8 X 1.25 X 100, Ss	2
	18	1205475	(00000000-) Block, Mass, 24in Scrub Head, Short	6
	19	1200757	(00000000-) Plate Wldt, Mount, Motor, 24in	1
	20	1200676	(00000000-) Plate, Backing, Dust- Cntrl	1
	21	01685	(00000000-) Washer, Flat, 0.38b 0.88d .08, Ss	4
	22	08713	(00000000-) Nut, Hex, Lock, M8 X 1.25, NI, Ss	4
	23	00928	(00000000-) Key, Sq, 0.25 X 0.25, 1.00l	1
▽	24	1213331	(00000000-) Driver Assy, Pad, 24d	1
▲	25	32506	(00000000-) Device, Centering, Rh Pad Retainer	1
▲	26	1205787	(00000000-) Collar, Locking, Pad Driver, 6.1"	1
	27	1204254	(00000000-) Pad, Burnish, 24.0d, Hairblend [1Pk = 1Pad]	1

▽ ASSEMBLY

▲ INCLUDED IN ASSEMBLY

PAD DRIVER GROUP, 686 MM (27 IN)

355195





PAD DRIVER GROUP, 686 MM (27 IN)

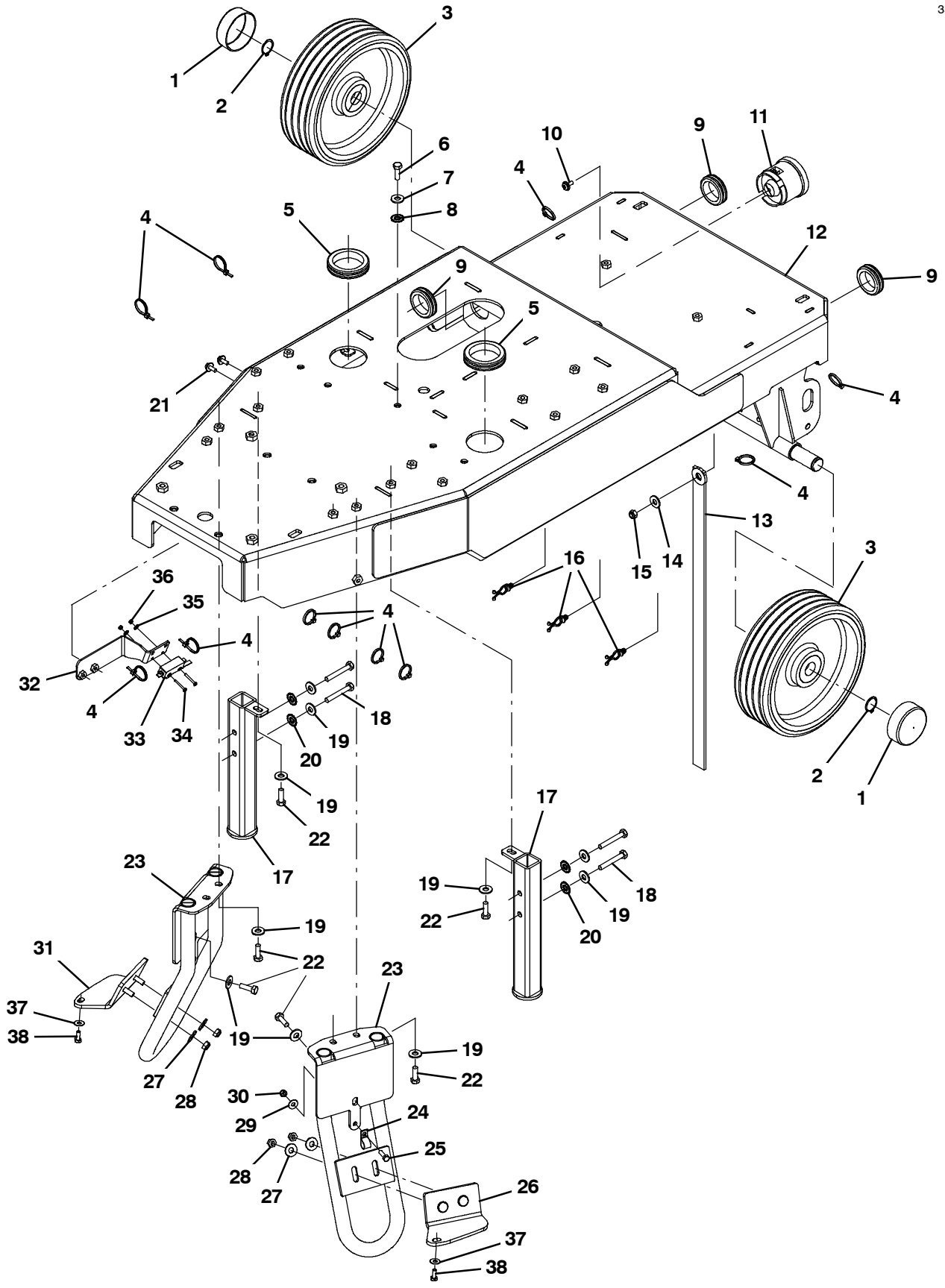
Ref.	Part No.	Serial Number	Description	Qty.
▽	1	9013143	(00000000- ) Motor Kit, Burnish, Replmt [B10]	1
▲		1206641	(00000000- ) Brush Assy, Carbon, Afmkt (Includes Qty 8- Carbon Brushes, 8- Springs & 2- Electrical Terminals)	1
▲	2	87435	(00000000- ) Nut, Hex, Flexlock, .31- 18	2
▲	3	39349	(00000000- ) Washer, Flat, 0.31, Sae	2
▲	4	32984	(00000000- ) Washer, Lock, Int, 0.31	2
	5	1200543	(00000000- ) Plate Wldt, Mount, Motor, 27in	1
	6	41186	(00000000- ) Washer, Flat, Belleville, .31	5
	7	1016399	(00000000- ) Screw, Hex, M8 X 1.25 X 30, NI, Ss	5
	8	1205728	(00000000- ) Shroud Assy, Dust- Cntrl, Stepped, 27.0d	1
	9	1200686	(00000000- ) Skirt Assy, Shrd, 27.0d	1
	10	9010993	(00000000- ) Bumper, Strip, Afmkt, 3 Ft	1
	11	09739	(00000000- ) Nut, Hex, Lock, M5 X 0.80, NI, Ss	2
	12	1045487	(00000000- ) Screw, Pan, Phl, M5 X 0.80 X 16, Blk	2
	13	1200676	(00000000- ) Plate, Backing, Dust- Cntrl	1
	14	01685	(00000000- ) Washer, Flat, 0.38b 0.88d .08, Ss	4
	15	08713	(00000000- ) Nut, Hex, Lock, M8 X 1.25, NI, Ss	4
	16	00928	(00000000- ) Key, Sq, 0.25 X 0.25, 1.00l	1
▽	17	1213332	(00000000- ) Driver Assy, Pad, 27d	1
▲	18	32506	(00000000- ) Device, Centering, Rh Pad Retainer	1
▲	19	1205787	(00000000- ) Collar, Locking, Pad Driver, 6.1"	1
	20	1204255	(00000000- ) Pad, Burnish, 27.0d, Hairblend [1Pk = 1Pad]	1
	21	1028796	(00000000- ) Washer, Flat, 0.33b 1.00d .18, Stl, PI	1

▽ ASSEMBLY

▲ INCLUDED IN ASSEMBLY

MAIN FRAME GROUP

355180

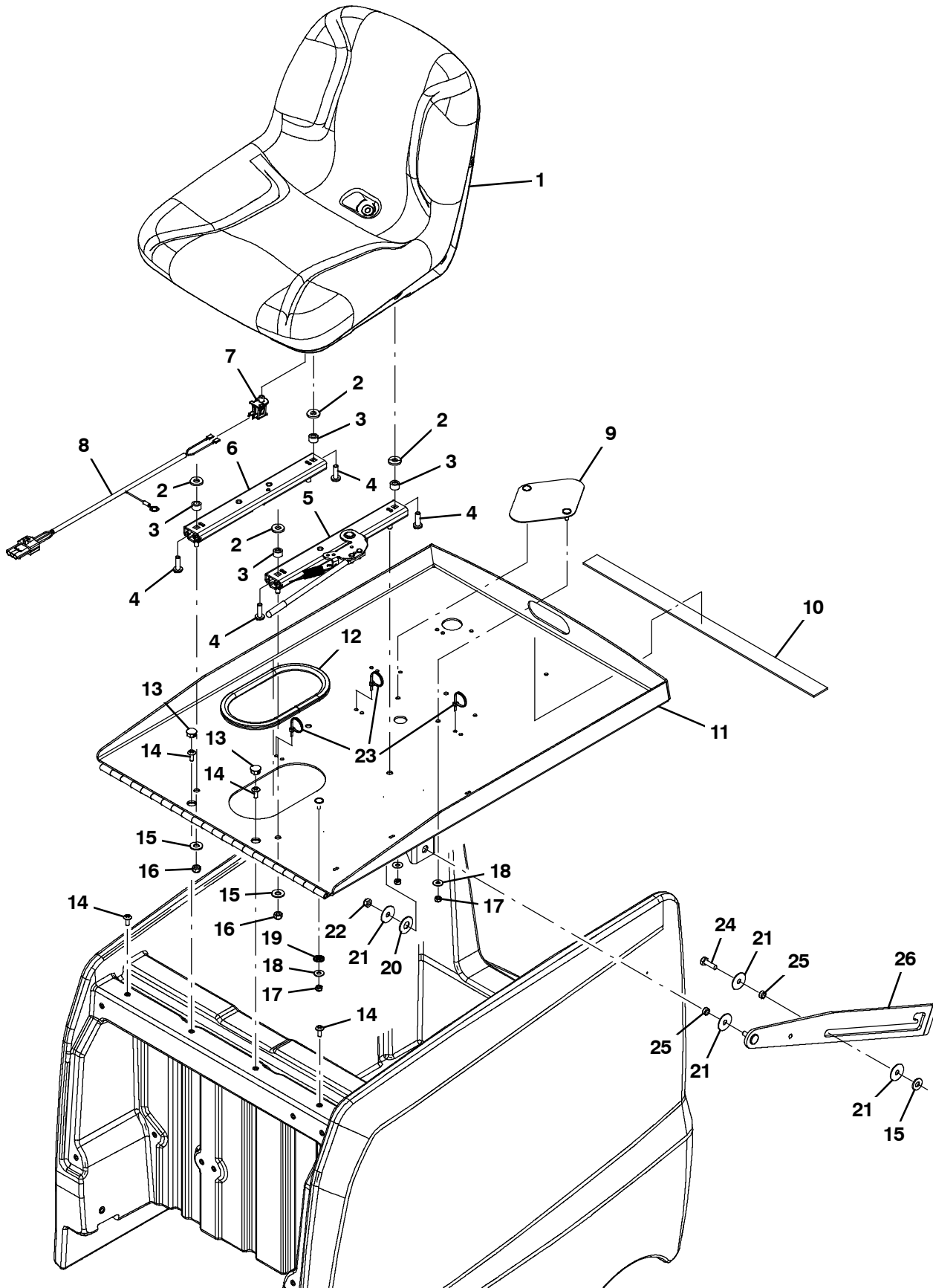


## MAIN FRAME GROUP

Ref.	Part No.	Serial Number	Description	Qty.
1	1016957	(00000000-	) Cap, Vyl, 70mmid X 25mml	2
2	09005	(00000000-	) Ring, Retaining, Ext, 1.00d, Basic	2
3	1038560	(00000000-	) Tire Assy, Solid, 250mm X 80mm, 25mmid	2
4	130773	(00000000-	) Tie, Cable, Nyl, 11.0l, .14w, 3.0 Max. D	11
5	1202181	(00000000-	) Grommet, Rbr, 2.13id, F/2.5h, .19 Matl	2
6	12333	(00000000-	) Screw, Hex, M8 X 1.25 X 25, Ss, NI	1
7	01685	(00000000-	) Washer, Flat, 0.38b 0.88d .08, Ss	1
8	41141	(00000000-	) Washer, Lock, Int- Ext, 0.31	1
9	10632- 13	(00000000-	) Grommet, Rbr, 1.50id, F/1.8h, .19 Matl	3
10	1019349	(00000000-	) Screw, Trs, M6 X 1.00 X 16, Ss, Sems	1
11	1018505	(00000000-	) Horn, 12- 48vdc [88.5 Decibels]	1
12	1200530	(00000000-	) Frame Wldt, Sppt, Main	1
13	71579	(00000000-	) Strap, Static, W/Grommet, .19 1.1w 25.0l	1
14	01685	(00000000-	) Washer, Flat, 0.38b 0.88d .08, Ss	1
15	08713	(00000000-	) Nut, Hex, Lock, M8 X 1.25, NI, Ss	1
16	30406	(00000000-	) Clip, Keeper	3
17	1201529	(00000000-	) Jack Wldt	2
18	222504	(00000000-	) Screw, Hex, M8 X 1.25 X 55, Ss	4
19	01685	(00000000-	) Washer, Flat, 0.38b 0.88d .08, Ss	12
20	41141	(00000000-	) Washer, Lock, Int- Ext, 0.31	4
21	1034731	(00000000-	) Screw, Hex, M6 X 1.00 X 16, Ss, Sems	2
22	12333	(00000000-	) Screw, Hex, M8 X 1.25 X 25, Ss, NI	8
23	1200540	(00000000-	) Tube Wldt, Rop	2
24	140300	(00000000-	) Clamp, Cable, Stl, 0.50d [Insulated]	1
25	08716	(00000000-	) Screw, Hex, M6 X 1.00 X 20, Ss	1
26	1202858	(00000000-	) Bracket Wldt, Sppt, Front, Lh	1
27	01685	(00000000-	) Washer, Flat, 0.38b 0.88d .08, Ss	4
28	08713	(00000000-	) Nut, Hex, Lock, M8 X 1.25, NI, Ss	4
29	01684	(00000000-	) Washer, Flat, 0.27b 0.69d .05, Ss	1
30	08712	(00000000-	) Nut, Hex, Lock, M6 X 1.00, NI, Ss	1
31	1202846	(00000000-	) Bracket Wldt, Sppt, Front, Rh	1
32	1201742	(00000000-	) Bracket Wldt, Mounting, Switch	1
33	1013132	(00000000-	) Switch, Lever, Snap Actn	1
34	33933	(00000000-	) Screw, Pan, Phl, M3 X 0.50 X 25, Ss	2
35	41578	(00000000-	) Washer, Flat, 06, Ss	2
36	579211	(00000000-	) Nut, Hex, Lock, M3 X 0.50, NI, Ss	2
37	01684	(00000000-	) Washer, Flat, 0.27b 0.69d .05, Ss	2
38	11329	(00000000-	) Screw, Hex, M6 X 1.00 X 16, NI, Ss	2

SEAT GROUP

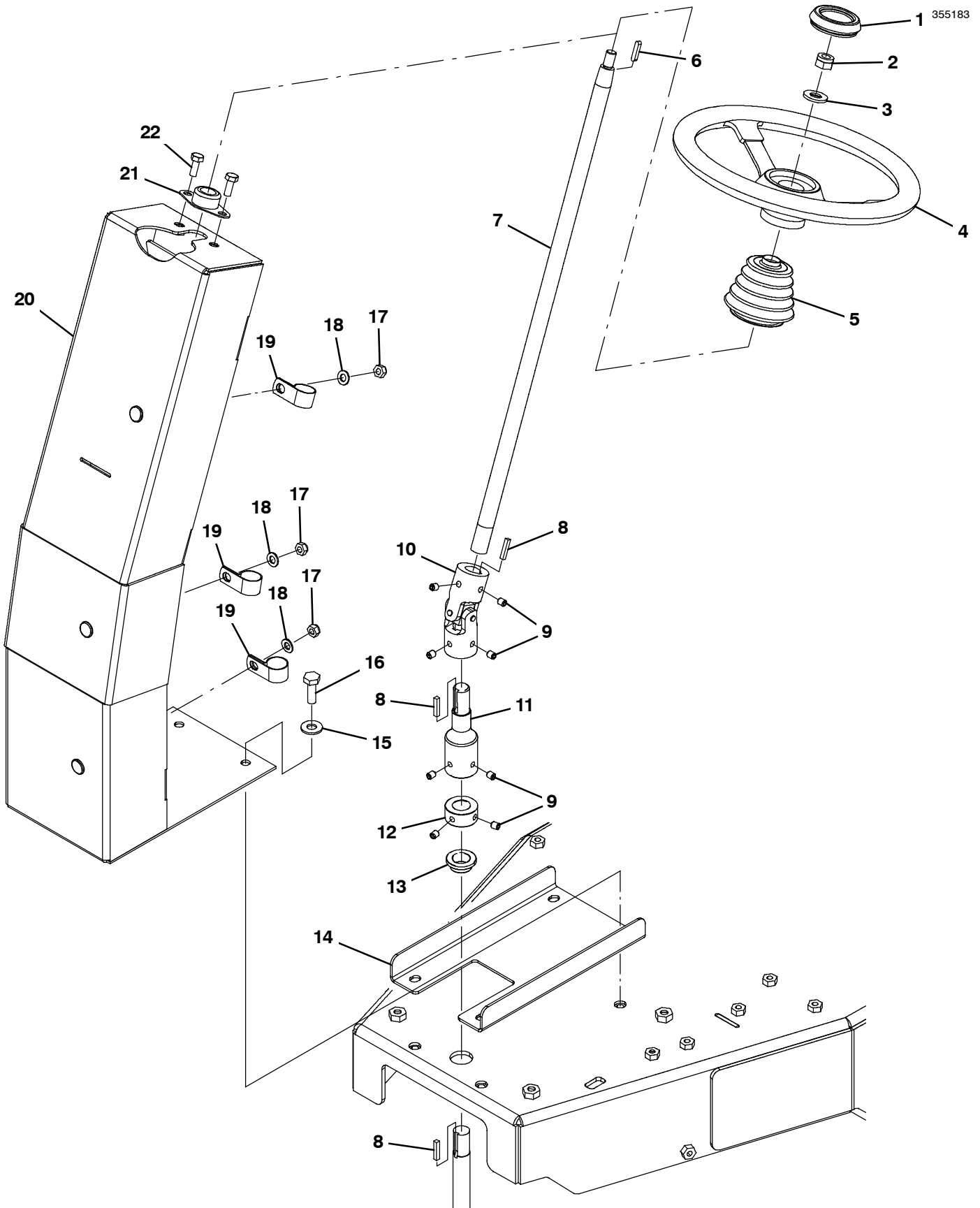
355197



## SEAT GROUP

Ref.	Part No.	Serial Number	Description	Qty.
1	9005082	(10611440-	) Seat Kit, Std, Replmt (Kit Includes Screw and Spacer)	1
1	1048932	(00000000- 10611439	) Seat, Std [Michigan, Model V- 2505] (Replaced by 9005082)	1
2	69461	(00000000-	) Washer, Flat, 0.38b 0.88d .12, Stl, Pl	4
3	1051052	(00000000-	) Spacer, Rnd, .38b .88d .38l	4
4	49177	(00000000-	) Screw, Pan, Phl, .31- 18 X 1.00, G2	4
5	1017054	(00000000-	) Rail, Adj, Slide, Seat, 11.5l, W/ Latch	1
6	1017053	(00000000-	) Rail, Adj, Slide, Seat, 11.5l	1
7	1048955	(00000000-	) Switch, Seat, No [Delta 6440- 04]	1
8	391951	(00000000-	) Harness, Seat [ T7/Ssr ]	1
9	1204413	(00000000-	) Plate Wldt, Cover, Hole, Flasher (Models w/out Flashing Light Option)	1
10	1202142	(00000000-	) Pad, Rbr, 0.12 X 1.4 X 22.7, Adh	1
11	9010990	(00000000-	) Plate, Seat, Afmkt, Adc [B10] [Na/Aus]	1
11	9010991	(00000000-	) Plate, Seat, Afmkt, Adc [B10] [Ce/Korea]	1
12	1020170	(00000000-	) Molding, Afmkt, Trim, Pvc, .08 .11, 02ft	1
13	1058340	(00000000-	) Plug, Hole, Rnd, .63h 0.1l, Blk	2
14	1202143	(00000000-	) Screw, Trs, M6 X 1.00 X 16, Phl, NI, Blk	4
15	01685	(00000000-	) Washer, Flat, 0.38b 0.88d .08, Ss	5
16	41437	(00000000-	) Nut, Hex, Lock, .31- 18, NI, Ss	4
17	08712	(00000000-	) Nut, Hex, Lock, M6 X 1.00, NI, Ss	3
18	01684	(00000000-	) Washer, Flat, 0.27b 0.69d .05, Ss	3
19	41140	(00000000-	) Washer, Lock, Int- Ext, 0.25	1
20	86952	(00000000-	) Washer, Flat, 0.52b 1.25d .06, Nyl	1
21	30013	(00000000-	) Washer, Flat, 0.31, Fendr	4
22	08713	(00000000-	) Nut, Hex, Lock, M8 X 1.25, NI, Ss	1
23	130773	(00000000-	) Tie, Cable, Nyl, 11.0l, .14w, 3.0 Max. D	3
24	12333	(00000000-	) Screw, Hex, M8 X 1.25 X 25, Ss, NI	1
25	360801	(00000000-	) Sleeve, 0.32b 0.50d 0.3l, 2cham, Ss	2
26	1201445	(00000000-	) Bracket Wldt, Arm, Prop	1

STEERING GROUP

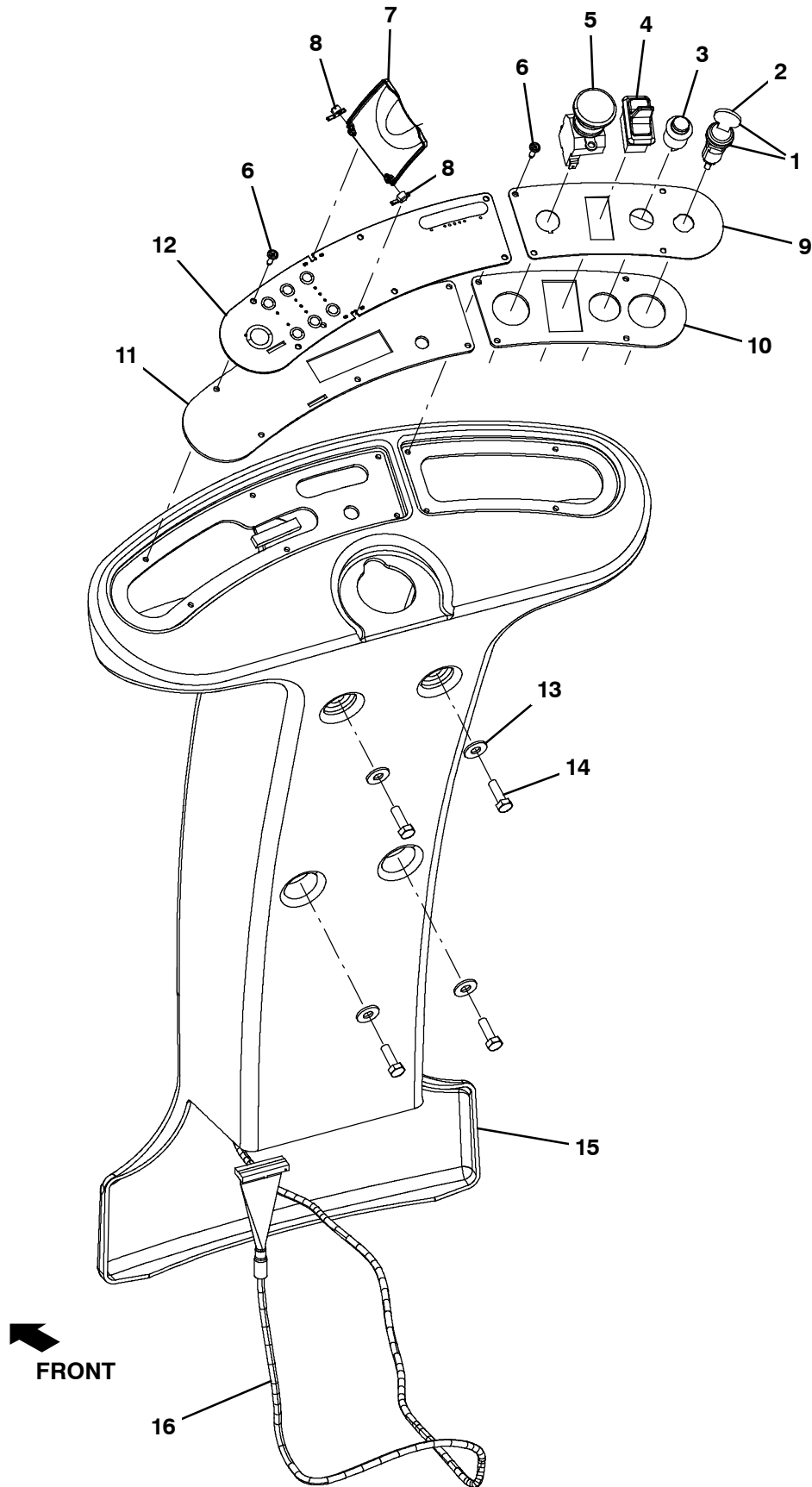


## STEERING GROUP

Ref.	Part No.	Serial Number	Description	Qty.
1	1019706	(00000000-	) Cap, Wheel, Steering	1
2	08711	(00000000-	) Nut, Hex, Lock, M12 X 1.75, NI	1
3	64154	(00000000-	) Washer, Flat, 0.53b 1.12d .11, Stl, PI	1
4	1012002	(00000000-	) Wheel, Steering, 300mm	1
5	1012437	(00000000-	) Bellows, Shaft, Steering	1
6	1014328	(00000000-	) Key, Sq, 05mm X 05mm, 25mml	1
7	1013164	(00000000-	) Shaft, Steering, Wheel	1
8	00912	(00000000-	) Key, Sq, 0.19 X 0.19, 1.00l	3
9	46820	(00000000-	) Screw, Set, .31- 18 X 0.38, NI	8
10	1040295	(00000000-	) Joint, U, 0.75id	1
11	1200662	(00000000-	) Shaft, Adapter, Steering	1
12	1202031	(00000000-	) Collar, Shaft, 20.4b X 18.0w, Clr Zn PI	1
13	1202305	(00000000-	) Bushing, Flng, 20.0b 26.0d 12.0l, Bnz	1
14	1202861	(00000000-	) Plate, Stiffener, Steering Sppt [B10]	1
15	01686	(00000000-	) Washer, Flat, 0.44b 1.00d .08, Ss	4
16	09770	(00000000-	) Screw, Hex, M10 X 1.50 X 25, NI, Ss	4
17	08713	(00000000-	) Nut, Hex, Lock, M8 X 1.25, NI, Ss	3
18	01685	(00000000-	) Washer, Flat, 0.38b 0.88d .08, Ss	3
19	69234	(00000000-	) Clamp, Cable, Stl, 1.00d X 0.75w, 1hole	3
20	1018561	(00000000-	) Support Wldt, Steering	1
21	223065	(00000000-	) Bearing, Flng, 2hole, 0.75b [Nyl]	1
22	49826	(00000000-	) Screw, Hex, M8 X 1.25 X 16, NI, Ss	2

INSTRUMENT PANEL GROUP

355181





## INSTRUMENT PANEL GROUP

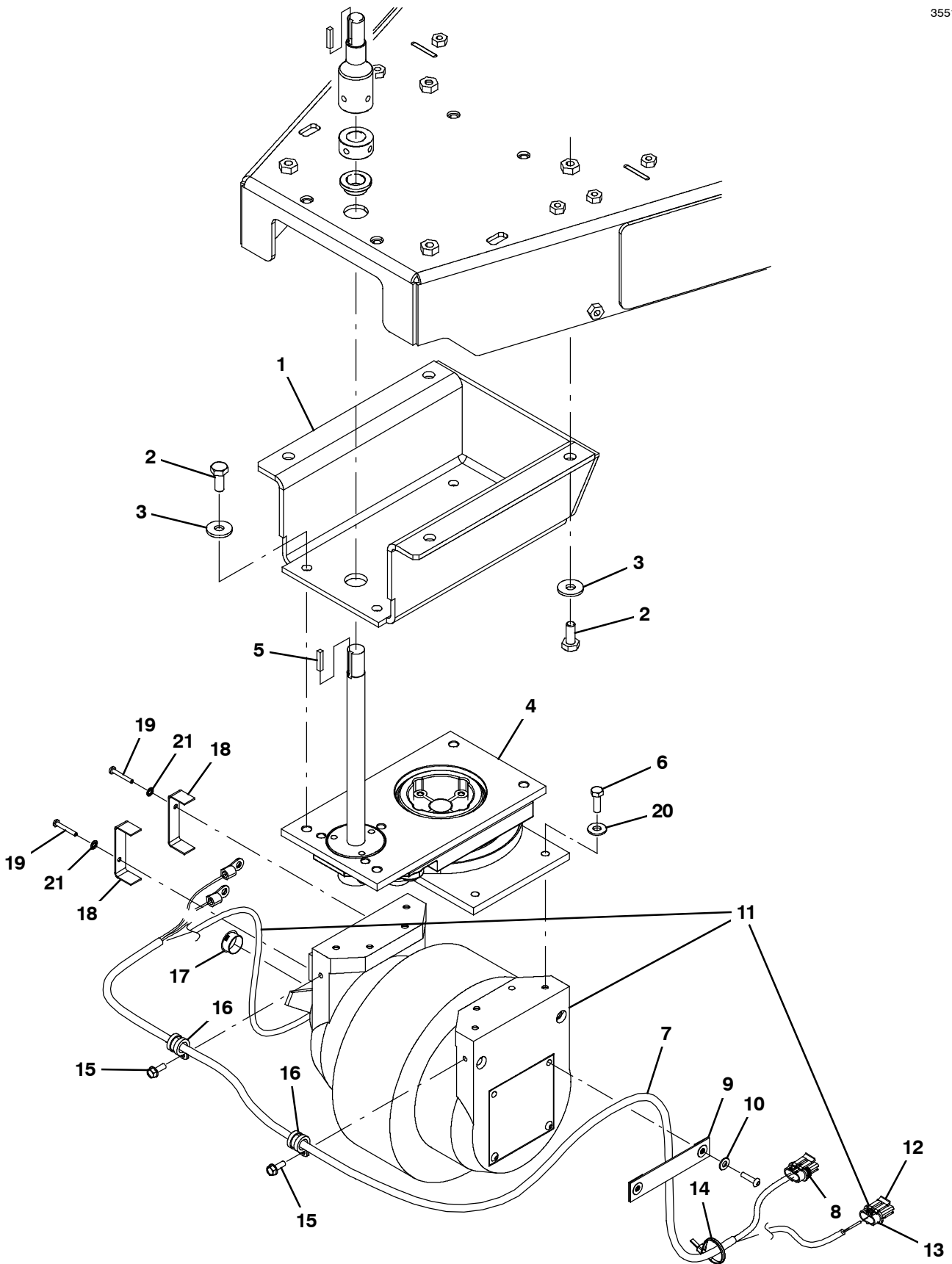
	Ref.	Part No.	Serial Number	Description	Qty.
▽	1	1011402	(00000000-	) Switch, Key	1
▲	2	1017696	(00000000-	) Key Set, Replmt [F/ Keyswitch 1011402]	1
	3	1014832	(00000000-	) Switch, Horn	1
	4	1072040	(00000000-	) Switch, Rocker, Spst, Paddle	1
	5	1011735	(00000000-	) Switch, Safety, Shutoff	1
	6	72969	(00000000-	) Rivet, Plstc, .181d X 0.72	10
	7	1012197	(00000000-	) Cover, Panl, Instmt	1
	8	1011952	(00000000-	) Block, Pivot, Cover	2
	9	1046313	(00000000-	) Panel, Instmt, Rh	1
	10	1014080	(00000000-	) Gasket, Panl, Instmt, Rh, .13, Foam, Adh	1
	11	1052607	(00000000-	) Gasket, Panl, Instmt, Lh, .13, Foam, Adh	1
	12	1069937	(00000000-	) Panel, Instmt, Lh [Orion]	1
	13	01685	(00000000-	) Washer, Flat, 0.38b 0.88d .08, Ss	4
	14	12333	(00000000-	) Screw, Hex, M8 X 1.25 X 25, Ss, NI	4
	15	9010994	(00000000-	) Column, Cntrl, Afmkt, Rm- Cptl (NA/AUS Models)	1
	15	1205689	(00000000-	) Column, Cntrl, Rm- Cptl, Trimmed [F/Badge (CE/KO Models)	1
	16	1016865	(00000000-	) Cable, Ribbon, 90.6l	1

▽ ASSEMBLY

▲ INCLUDED IN ASSEMBLY

FRONT DRIVE WHEEL GROUP

355191



## FRONT DRIVE WHEEL GROUP

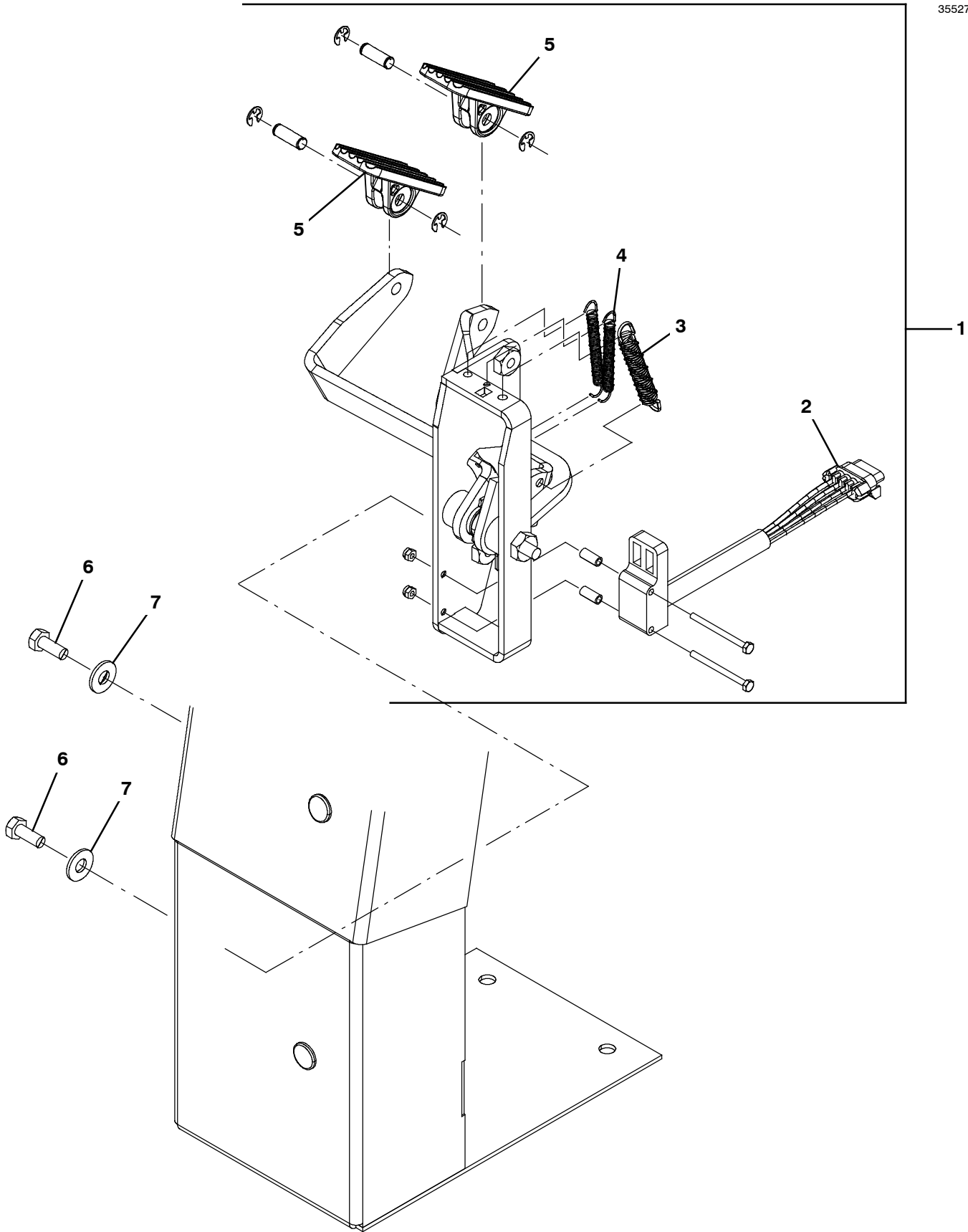
Ref.	Part No.	Serial Number	Description	Qty.
1	1200717	(00000000-	) Bracket, Sppt, Power Wheel	1
2	09770	(00000000-	) Screw, Hex, M10 X 1.50 X 25, NI, Ss	8
3	01686	(00000000-	) Washer, Flat, 0.44b 1.00d .08, Ss	8
4	1019724	(00000000-	) Steer- Control Assy, Wheel Drive	1
5	00912	(00000000-	) Key, Sq, 0.19 X 0.19, 1.00l	1
6	12333	(00000000-	) Screw, Hex, M8 X 1.25 X 25, Ss, NI	4
▽	7	1065808	(00000000-) Harness, Motor, Brake [T7/Ssr]	1
▲	8	1047186	(00000000-) Connector, Fem, 3 Recept [Mp630] (Assembly Only - No Breakdown Available)	1
	9	1019224	(00000000-) Strap, Nyl	1
	10	19066	(00000000-) Washer, Flat, 0.25b 0.56d .05, PI, 10	1
▽	11	9008999	(00000000-) Gearbox Kit, Wheel, 250mm, W/ Connector	1
▲		25837	(00000000-) Terminal, Fem, Mp280, Sealed, 22- 20ga	2
▲		25830	(00000000-) Seal, Wire, 18- 22ga [Wp / Mp280 Sealed]	2
▲	12	78950	(00000000-) Connector, Fem, 2cav, Mp280 Sealed (Connector Only - No Assembly Available)	1
▲	13	78952	(00000000-) Lock, Secondary, 2cav, Mp280 Sealed	1
	14	130773	(00000000-) Tie, Cable, Nyl, 11.0l, .14w, 3.0 Max. D	4
	15	361339	(00000000-) Screw, Hex, M6 X 1.00 X 16, Fmg	2
	16	1016354	(00000000-) Clamp, Cable, Ss, 0.50d X 0.50w [Insul]	2
	17	130161	(00000000-) Plug, Hole, Rnd, 0.88d, Blk	1
	18	1064972	(00000000-) Bracket, Cord	2
	19	33931	(00000000-) Screw, Pan, Phl, M4 X 0.70 X 30, Ss	2
	20	01685	(00000000-) Washer, Flat, 0.38b 0.88d .08, Ss	2
	21	02938	(00000000-) Washer, Lock, Int, 08, Ss	2

▽ ASSEMBLY

▲ INCLUDED IN ASSEMBLY

BRAKE AND ACCELERATOR PEDAL GROUP (S/N 10644214- )

355276



## BRAKE AND ACCELERATOR PEDAL GROUP (S/N 10644214- )

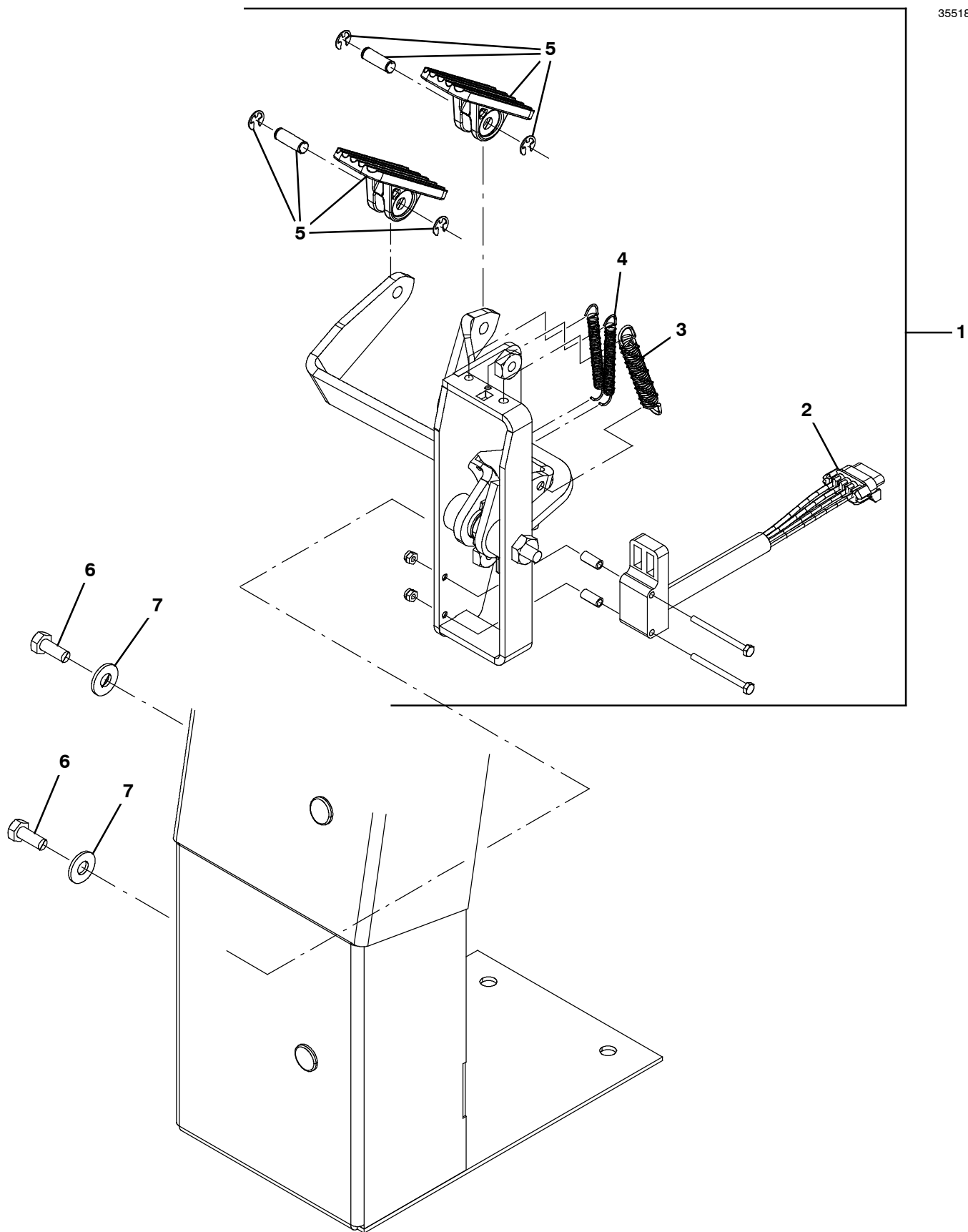
	Ref.	Part No.	Serial Number	Description	Qty.
▽	1	1072477	(10644214-	) Pedal Assy, Accelerator, Brake	1
▲	2	1058687	(00000000-	) Vr, Sensor, Position [Hall]	1
▲	3	1031716	(00000000-	) Spring, Extn, 0.50od 0.07wir 03.0l	1
▲	4	1061049	(00000000-	) Vr, Spring, Extn, 0.35od 0.05wir 02.8l	2
▲	5	1072478	(10644214-	) Vr, Pedal, Foot, W/ Tread	1
	6	12273	(00000000-	) Screw, Hex, M8 X 1.25 X 20, NI, Ss	2
	7	01685	(00000000-	) Washer, Flat, 0.38b 0.88d .08, Ss	2

▽ ASSEMBLY

▲ INCLUDED IN ASSEMBLY

BRAKE AND ACCELERATOR PEDAL GROUP (S/N 0000000- 10644213)

355187



## BRAKE AND ACCELERATOR PEDAL GROUP (S/N 00000000- 10644213)

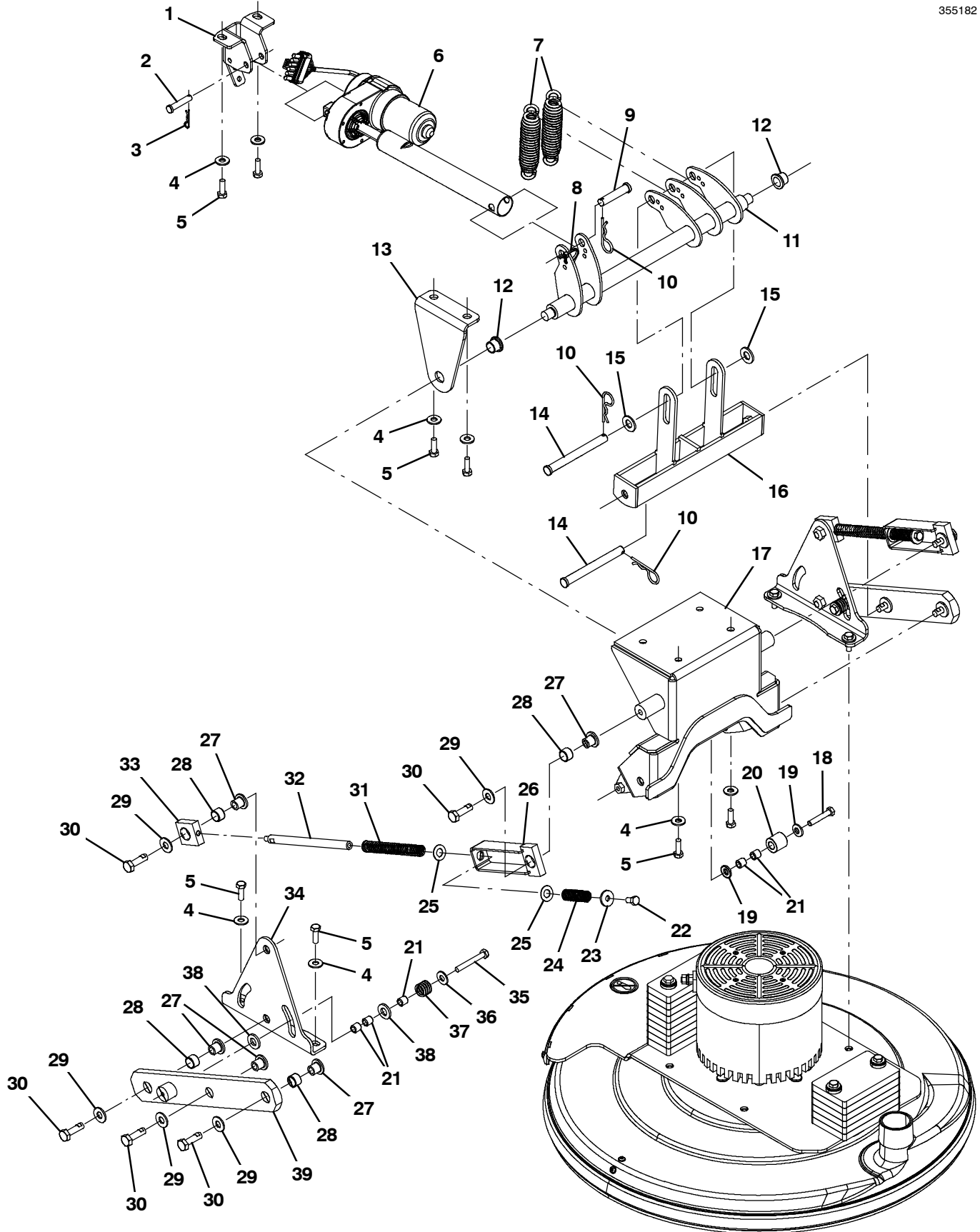
Ref.	Part No.	Serial Number	Description	Qty.
▽ 1	9010657	(00000000- 10644213 )	Pedal Assy Kit, Accelerator, Brake (Replaced by 1072477)	1
▲ 2	1058687	(00000000-	Vr, Sensor, Position [Hall]	1
▲ 3	1031716	(00000000-	Spring, Extn, 0.50od 0.07wir 03.0l	1
▲ 4	1061049	(00000000-	Vr, Spring, Extn, 0.35od 0.05wir 02.8l	2
▲ 5	9010656	(00000000- 10644213 )	Pedal Kit, Accelerator, Brake (Replaced by 1072478)	1
6	12273	(00000000-	Screw, Hex, M8 X 1.25 X 20, NI, Ss	2
7	01685	(00000000-	Washer, Flat, 0.38b 0.88d .08, Ss	2

▽ ASSEMBLY

▲ INCLUDED IN ASSEMBLY

HEAD LIFT GROUP

355182



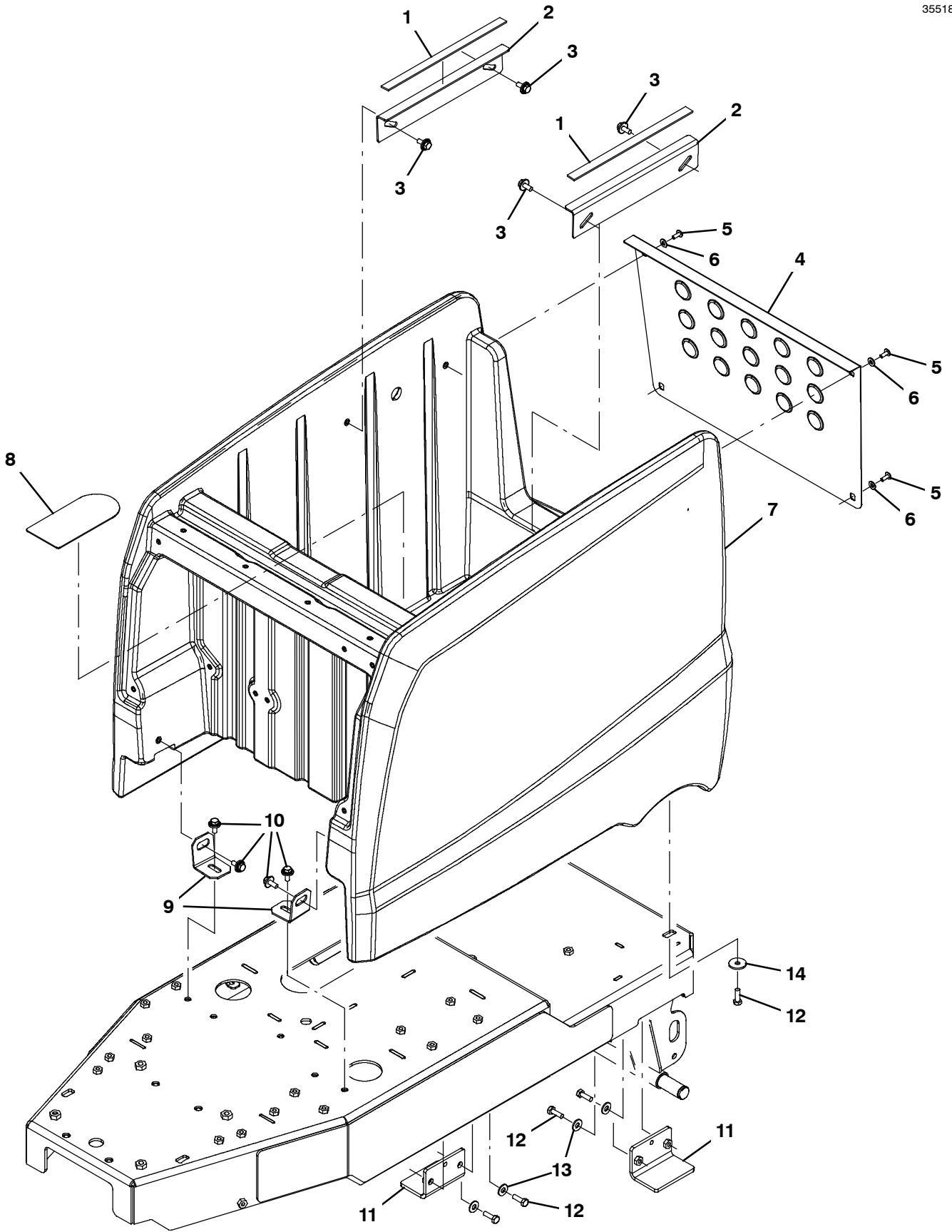


## HEAD LIFT GROUP

Ref.	Part No.	Serial Number	Description	Qty.
1	1200818	(00000000-	) Bracket, Mtg, Actuator	1
2	17461	(00000000-	) Pin, Clevis, 0.37d X 1.75l	1
3	86866	(00000000-	) Pin, Cotter, Hair, 0.38d .072 Wir	1
4	01685	(00000000-	) Washer, Flat, 0.38b 0.88d .08, Ss	12
5	12333	(00000000-	) Screw, Hex, M8 X 1.25 X 25, Ss, NI	12
6	9014886	(00000000-	) Actuator Kit, Install, Afmkt [B10]	1
7	1205672	(00000000-	) Spring, Extn, 1.211od 0.200wir 05.5l	2
8	130773	(00000000-	) Tie, Cable, Nyl, 11.0l, .14w, 3.0 Max. D	1
9	11211	(00000000-	) Pin, Clevis, 0.50d X 2.25l	1
10	02942	(00000000-	) Pin, Hair, Cotter, 0.62d .120 Wir	3
11	1200702	(00000000-	) Bracket, Wldt, Bellcrank	1
12	1202188	(00000000-	) Bushing, Flng, 0.63b 0.75d 0.63l, Bnz	2
13	1200731	(00000000-	) Bracket, Mount, Pivot	1
14	51538	(00000000-	) Pin, Clevis, 0.50d X 5.00l	2
15	32486	(00000000-	) Washer Flat,0.50,Sae	2
16	1201192	(00000000-	) Actuator, Lift Wldt, Linkage	1
17	1200950	(00000000-	) Bracket Wldt, Main, Linkage	1
18	1203909	(00000000-	) Screw, Hex, M8 X 1.25 X 45, Ss, NI	2
19	41186	(00000000-	) Washer, Flat, Belleville, .31	4
20	1014020	(00000000-	) Roller, Lift, Dual Disk Head	2
21	222460	(00000000-	) Sleeve, P/M, 0.32b 0.50d 0.5l [430ss]	10
22	49826	(00000000-	) Screw, Hex, M8 X 1.25 X 16, NI, Ss	2
23	1017218	(00000000-	) Washer, Flat, 0.32b 1.00d .12, Ss	2
24	1202820	(00000000-	) Spring, Comp, 0.520b, 3.95l	2
25	20536- 2	(00000000-	) Washer, Flat, 0.50b 1.00d .03, Nyl	4
26	1202401	(00000000-	) Arm Wldt, Upper, 4bar	2
27	1202539	(00000000-	) Bushing, Flng, Ss, 0.404b 0.612d 0.674l	10
28	1202378	(00000000-	) Bushing, 0.63b 0.75d 0.50l, Bnz	8
29	01686	(00000000-	) Washer, Flat, 0.44b 1.00d .08, Ss	10
30	1202948	(00000000-	) Screw, Hex, M10 X 1.50 X 35, Ss, NI	10
31	1202821	(00000000-	) Spring, Comp, 0.520b, 6.5l	2
32	1202454	(00000000-	) Rod, Guide, Spring	2
33	1200628	(00000000-	) Spring, Knuckle, Guide	2
34	1202300	(00000000-	) Plate Wldt, Pivot, Head	2
35	1014163	(00000000-	) Screw, Hex, M8 X 1.25 X 60, Fl, Ss	2
36	01685	(00000000-	) Washer, Flat, 0.38b 0.88d .08, Ss	2
37	1202544	(00000000-	) Spring, Comp, 0.550id, 0.120wir, 0.850l	2
38	140127	(00000000-	) Washer, Thrust, 0.51b 1.00d 0.12w, Brz	4
39	1205904	(00000000-	) Arm Wldt, Lower 4bar Link	2

MAIN HOUSING GROUP

355188

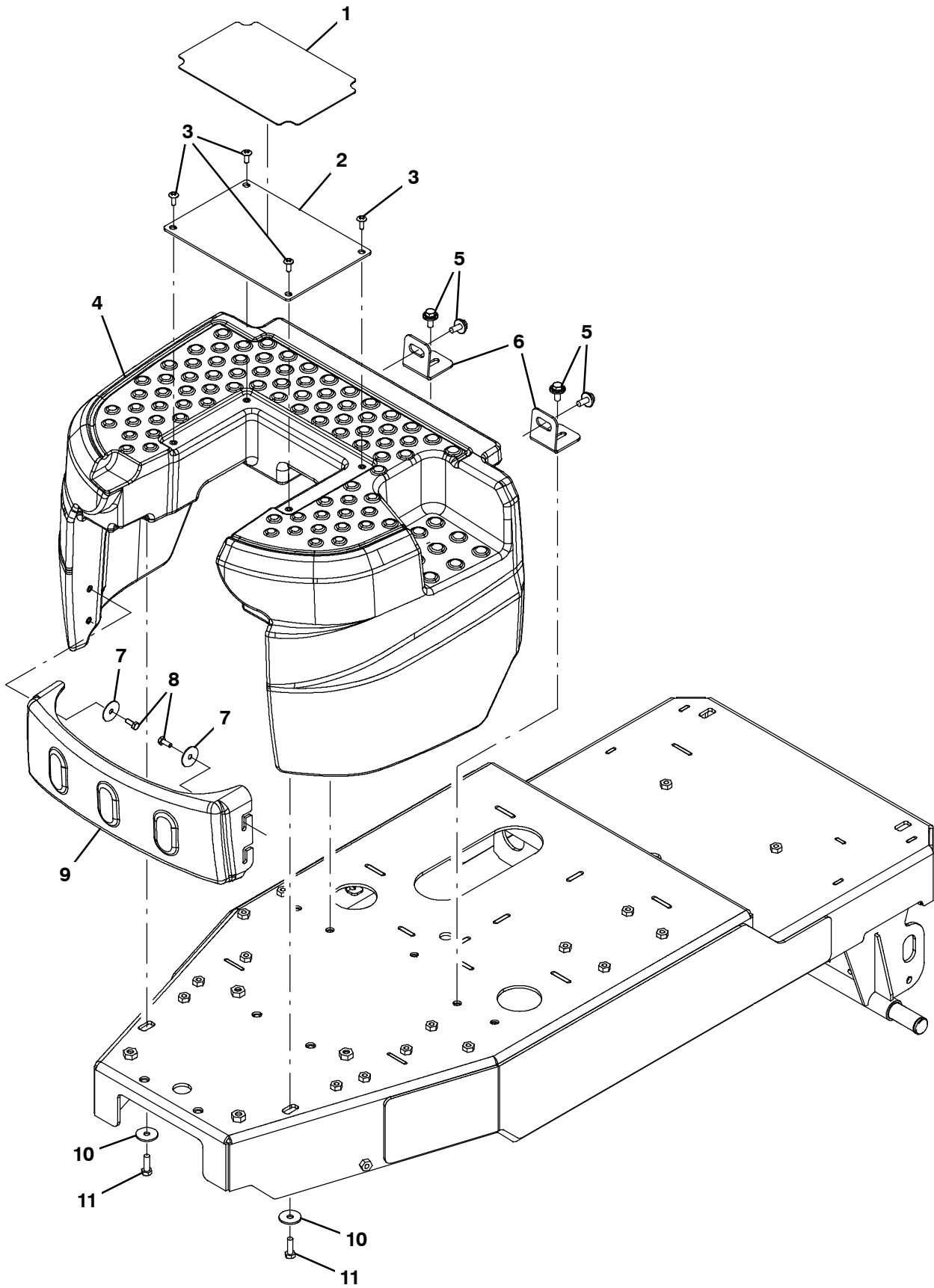


## MAIN HOUSING GROUP

Ref.	Part No.	Serial Number	Description	Qty.
1	1202128	(00000000-	) Pad, Rbr, 0.12 X 0.7 X 12.0, Adh	2
2	1201264	(00000000-	) Bracket, Spprt, Seat	2
3	1020341	(00000000-	) Screw, Hex, M8 X 1.25 X 20, Ss, Sems	4
4	1200942	(00000000-	) Panel, Access, Battery	1
5	1202143	(00000000-	) Screw, Trs, M6 X 1.00 X 16, Phl, NI, Blk	4
6	1069322	(00000000-	) Washer, Flat, 0.25, Sae, Blk	4
7	1201326	(00000000-	) Body, Rear, Rm- TI, Trimmed, Rider Brnshr (NA/AUS/KO Models)	1
7	9010996	(00000000-	) Body, Rear, Afmkt, On- Brd Chgr, Rm- TI Ce (CE Models)	1
8	1202377	(00000000-	) Cover, Motor	1
9	1014072	(00000000-	) Bracket, Mtg, Tank	2
10	1020341	(00000000-	) Screw, Hex, M8 X 1.25 X 20, Ss, Sems	4
11	1202404	(00000000-	) Bracket Assy, Arm, Sppt,	2
12	12333	(00000000-	) Screw, Hex, M8 X 1.25 X 25, Ss, NI	6
13	01685	(00000000-	) Washer, Flat, 0.38b 0.88d .08, Ss	4
14	1016331	(00000000-	) Washer, Flat, 0.34b 1.25d .11, Ss	2

FRONT SHROUD GROUP

355190

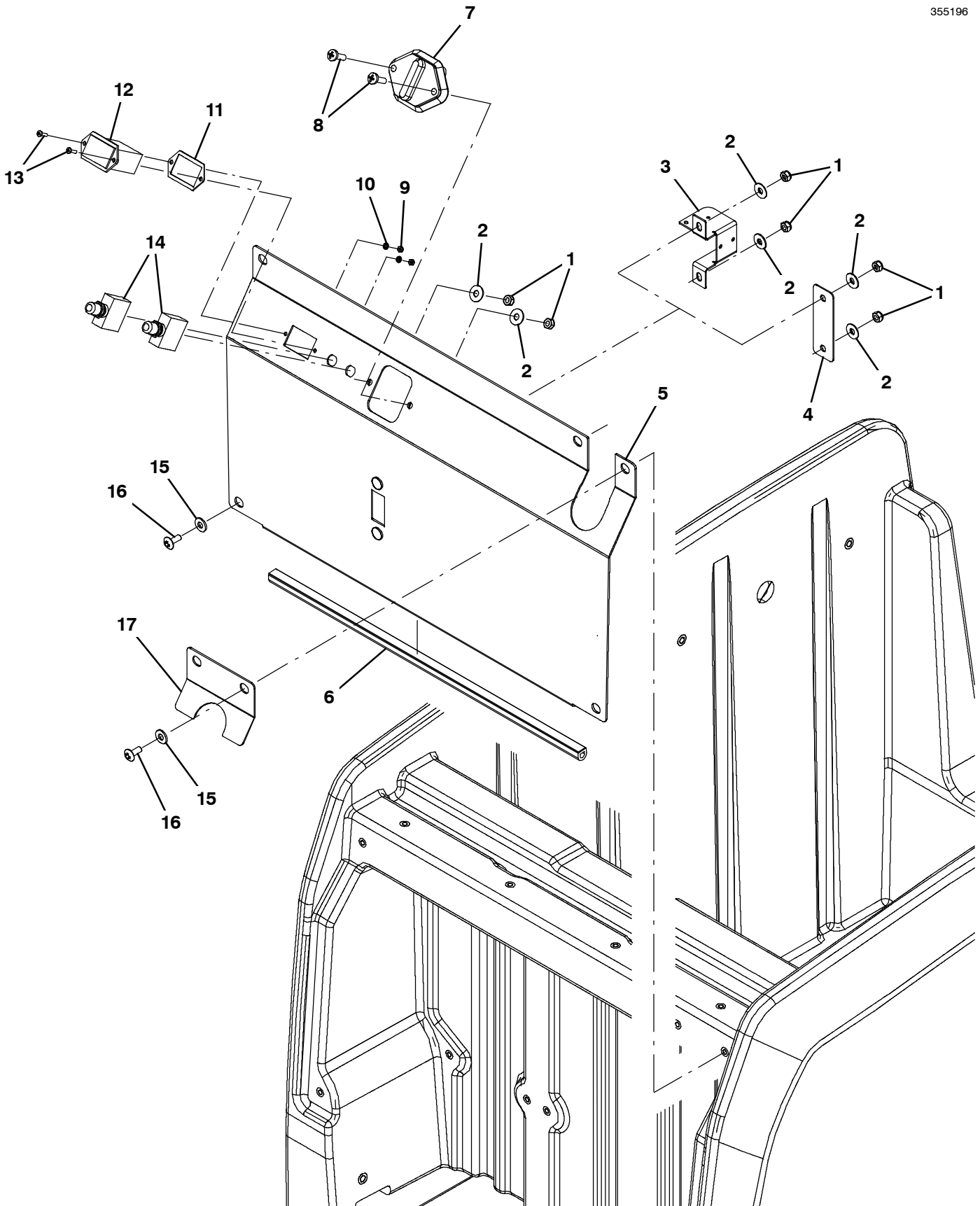


## FRONT SHROUD GROUP

Ref.	Part No.	Serial Number	Description	Qty.
1	1201772	(00000000-	) Tread, Non- Skid, Cover	1
2	1200553	(00000000-	) Cover, Access, Bolt	1
3	1202143	(00000000-	) Screw, Trs, M6 X 1.00 X 16, Phl, NI, Blk	4
4	1201702	(00000000-	) Shroud, Front, Rm- TI, Rdr Brnshr	1
5	1020341	(00000000-	) Screw, Hex, M8 X 1.25 X 20, Ss, Sems	4
6	1202258	(00000000-	) Bracket, Mtg, Tank	2
7	41178	(00000000-	) Washer, Flat, 0.25, Fendr	4
8	11329	(00000000-	) Screw, Hex, M6 X 1.00 X 16, NI, Ss	4
9	1201371	(00000000-	) Cover, Wheel, Drive	1
10	1016331	(00000000-	) Washer, Flat, 0.34b 1.25d .11, Ss	2
11	12333	(00000000-	) Screw, Hex, M8 X 1.25 X 25, Ss, NI	2

ELECTRICAL PANEL GROUP

355196

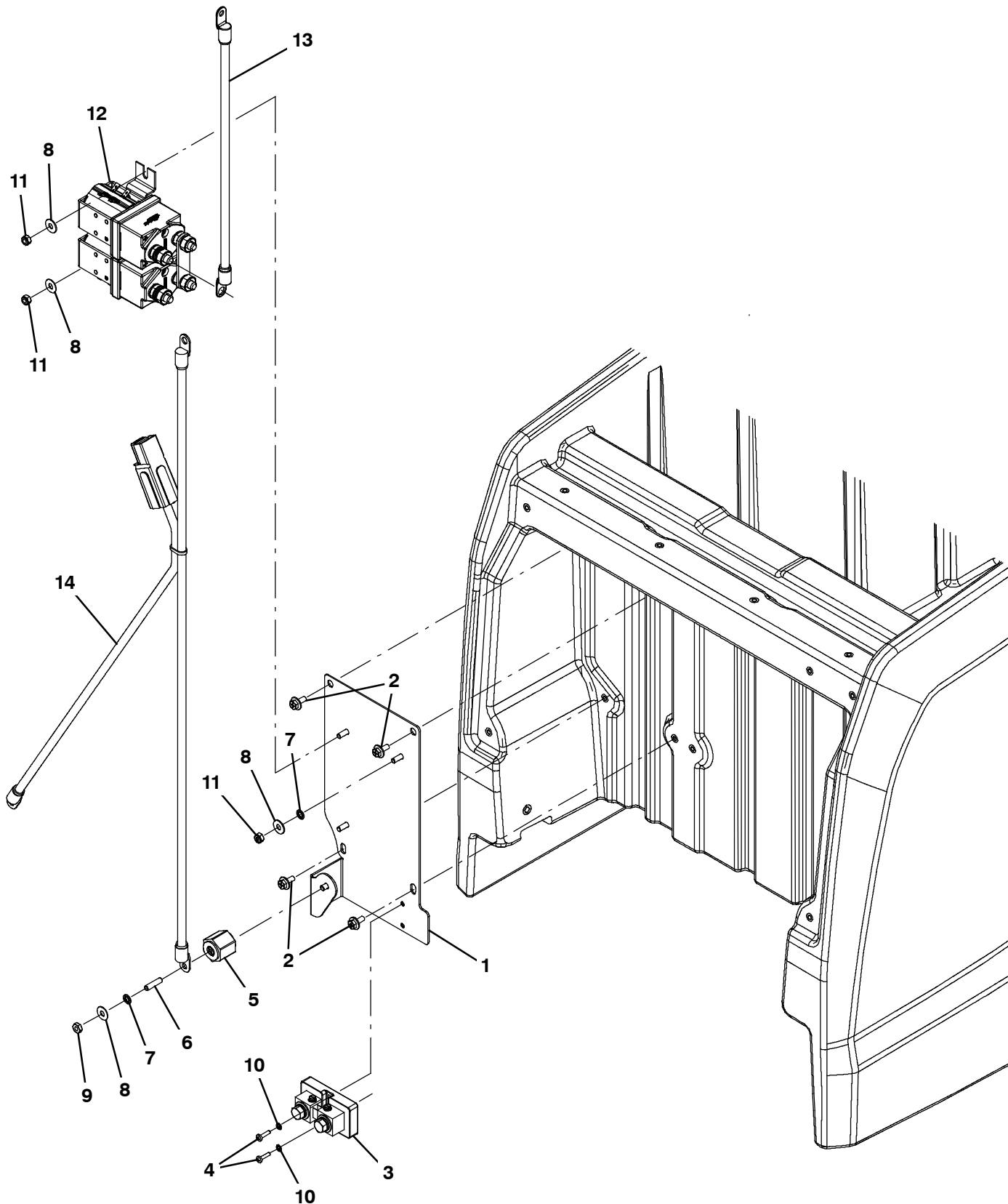


## ELECTRICAL PANEL GROUP

Ref.	Part No.	Serial Number	Description	Qty.
1	08712	(00000000-	) Nut, Hex, Lock, M6 X 1.00, NI, Ss	4
2	01684	(00000000-	) Washer, Flat, 0.27b 0.69d .05, Ss	4
3	1200885	(00000000-	) Bracket, Connector, Plug (Models w/ Off- Board Charger)	1
4	1202117	(00000000-	) Cover, Chrgr, Panel, Ele (Models w/ On- Board Charger)	1
5	1201337	(00000000-	) Panel Wldt, Access, Ele (NA Models)	1
5	9010998	(00000000-	) Panel, Access, Afmkt [Ce/Korea/Aus]	1
6	9010997	(00000000-	) Seal, Bulb, Afmkt, 24 In	1
7	1204520	(00000000-	) Circuitbreaker, 150a, Panel	1
8	1065954	(00000000-	) Screw, Pan, Phl, M6 X 1.0 X 20, Blk	2
9	579211	(00000000-	) Nut, Hex, Lock, M3 X 0.50, NI, Ss	2
10	39658	(00000000-	) Washer, Lock, Int, 04	2
11	222683	(00000000-	) Gasket, Hourmeter	1
12	377433	(00000000-	) Gauge, Hourmeter, 12- 60vdc, Analog [10k]	1
13	1069314	(00000000-	) Screw, Pan, Phl, M3 X 0.50 X 12, Blk	2
14	383720	(00000000-	) Circuitbreaker, 05.0a, Resetable	2
15	1069322	(00000000-	) Washer, Flat, 0.25, Sae, Blk	5
16	1202143	(00000000-	) Screw, Trs, M6 X 1.00 X 16, Phl, NI, Blk	5
17	1202116	(00000000-	) Bracket, Hose, Vacuum	1

ELECTRICAL COMPONENTS GROUP

355201



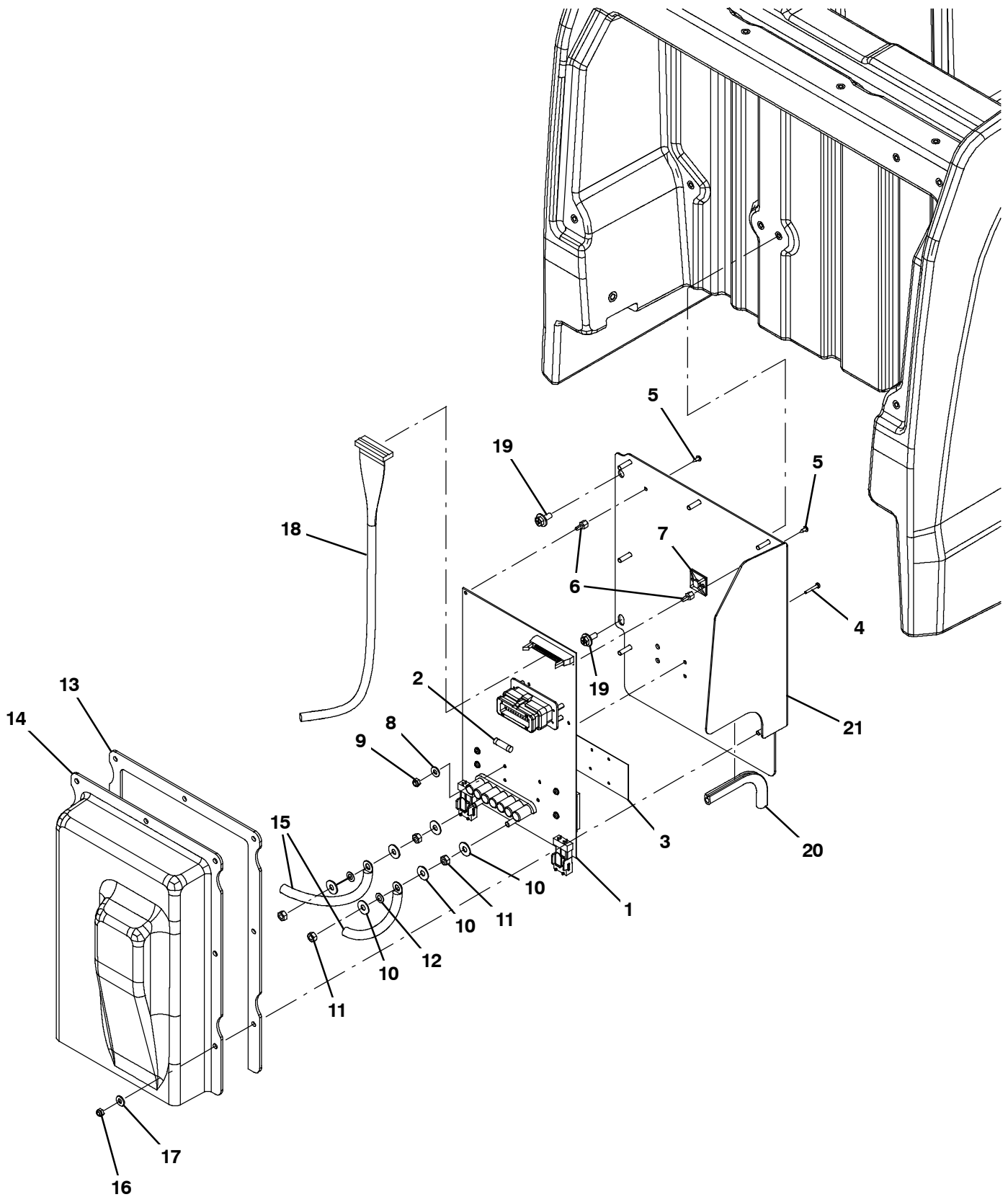


## ELECTRICAL COMPONENTS GROUP

Ref.	Part No.	Serial Number	Description	Qty.
1	1201292	(00000000-	) Panel Wldt, Component, Ele	1
2	1034731	(00000000-	) Screw, Hex, M6 X 1.00 X 16, Ss, Sems	4
3	1200585	(00000000-	) Shunt, Current, 200a	1
4	24265	(00000000-	) Screw, Pan, Phl, M4 X 0.70 X 16, Ss	2
5	76062	(00000000-	) Stand- Off, Wir, 0.25, Insulator, Panel	1
6	1017807	(00000000-	) Rod, Thrd, Full, .25- 20 01.0l	1
7	07515	(00000000-	) Washer, Lock, Int, 0.25, Ss	2
8	01684	(00000000-	) Washer, Flat, 0.27b 0.69d .05, Ss	4
9	32520	(00000000-	) Nut, Hex, Jam, .25- 20	1
10	02938	(00000000-	) Washer, Lock, Int, 08, Ss	2
11	08712	(00000000-	) Nut, Hex, Lock, M6 X 1.00, NI, Ss	3
12	1203357	(00000000-	) Contactor Assy, 36vdc, 250a, Spst, No	1
13	1201381	(00000000-	) Wire, Assy, Cable 16.0 2awg, Red	1
14	1201383	(00000000-	) Harness, Battery, Orion	1

CIRCUITBOARD GROUP

355202



## CIRCUITBOARD GROUP

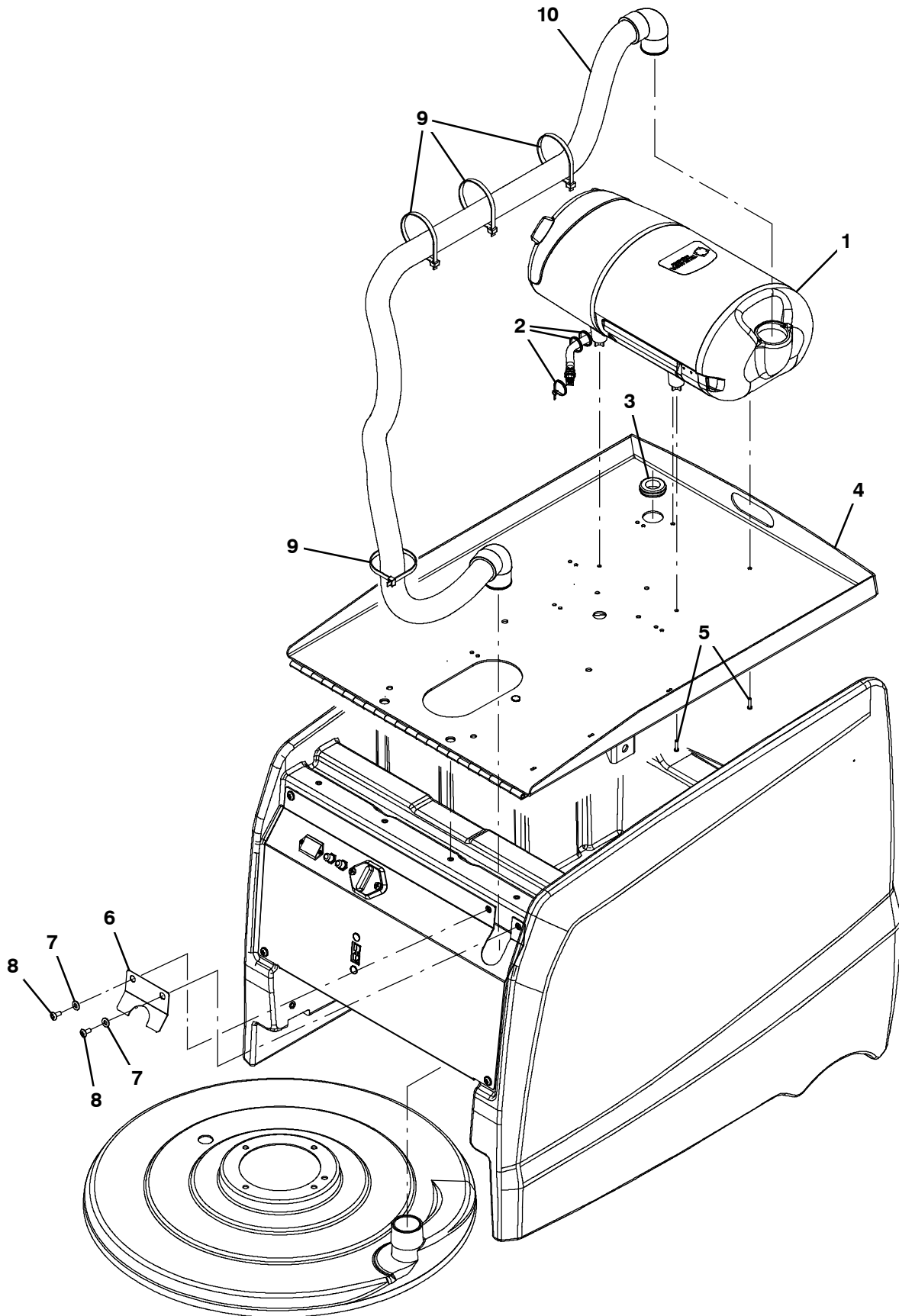
	Ref.	Part No.	Serial Number	Description	Qty.
▽	1	9011014	(00000000-	) Circuitboard Kit, Afmkt	1
▲	2	1030692	(00000000-	) Vr, Fuse, 15a, Replmt	1
▲	3	1016816	(00000000-	) Pad, Thermal, Heat Sink	1
	4	06922	(00000000-	) Screw, Pan, Phl, M3 X 0.50 X 20, 4.8	4
	5	3701.6	(00000000-	) Screw, Pan, Phl, 06- 32 X 0.38, Shtmtl,Ss	2
	6	1016825	(00000000-	) Support, Circuitboard	2
	7	55248	(00000000-	) Mount, Cable Tie	1
	8	1019218	(00000000-	) Washer, Flat, 0.14b 0.31d .03, Nyl	4
	9	579211	(00000000-	) Nut, Hex, Lock, M3 X 0.50, NI, Ss	4
	10	01684	(00000000-	) Washer, Flat, 0.27b 0.69d .05, Ss	6
	11	07785	(00000000-	) Nut, Hex, Std, M6 X 1.00, Ss	4
	12	32982	(00000000-	) Washer, Lock, Int, 0.25	2
	13	1201152	(00000000-	) Seal, Rbr, Adh	1
	14	9010999	(00000000-	) Cover, Circuitboard, Afmkt	1
	15	1070076	(00000000-	) Harness, Control Board [Orion]	1
	16	09739	(00000000-	) Nut, Hex, Lock, M5 X 0.80, NI, Ss	7
	17	01683	(00000000-	) Washer, Flat, 10, Ss	7
	18	1016865	(00000000-	) Cable, Ribbon, 90.6l	1
	19	1034731	(00000000-	) Screw, Hex, M6 X 1.00 X 16, Ss, Sems	4
	20	1020168	(00000000-	) Molding, Afmkt, Trim, Pvc, .08 .11, 01ft	1
	21	1201311	(00000000-	) Panel Wldt, Circuitboard	1

▽ ASSEMBLY

▲ INCLUDED IN ASSEMBLY

ACTIVE DUST CONTROL GROUP

355199

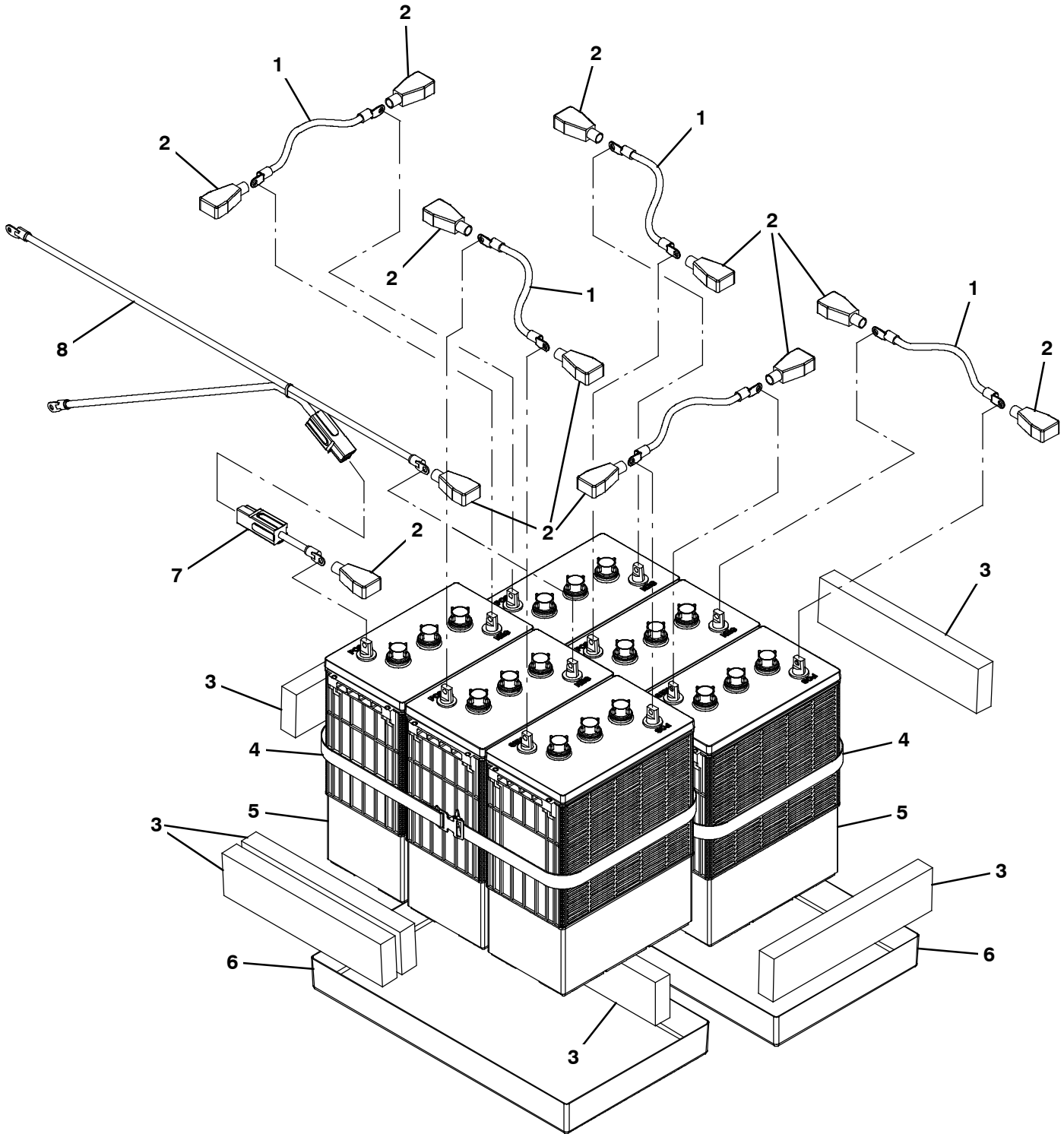


## ACTIVE DUST CONTROL GROUP

Ref.	Part No.	Serial Number	Description	Qty.
1	1200929	(00000000-	) Vacuum, Recvy, Dust (See Breakdown)	1
2	130773	(00000000-	) Tie, Cable, Nyl, 11.0l, .14w, 3.0 Max. D	3
3	10632- 14	(00000000-	) Grommet, Rbr, 1.00id, F/1.4h, .12 Matl	1
4	9010990	(00000000-	) Plate, Seat, Afmkt, Adc [B10] [Na/Aus]	1
4	9010991	(00000000-	) Plate, Seat, Afmkt, Adc [B10] [Ce/Korea]	1
5	360943	(00000000-	) Screw, Pan, Phl, 10- 14 X 0.75, F/ Plstc	4
6	1202116	(00000000-	) Bracket, Hose, Vacuum	1
7	1069322	(00000000-	) Washer, Flat, 0.25, Sae, Blk	2
8	1202143	(00000000-	) Screw, Trs, M6 X 1.00 X 16, Phl, NI, Blk	2
9	44961	(00000000-	) Tie, Cable, Nyl, 14.5l .30w 4.0 Max D	4
10	1201536	(00000000-	) Hose Assy, Vac, 1.50id, 2 Cuff, E90	1

BATTERY GROUP, WET 435AH

355206

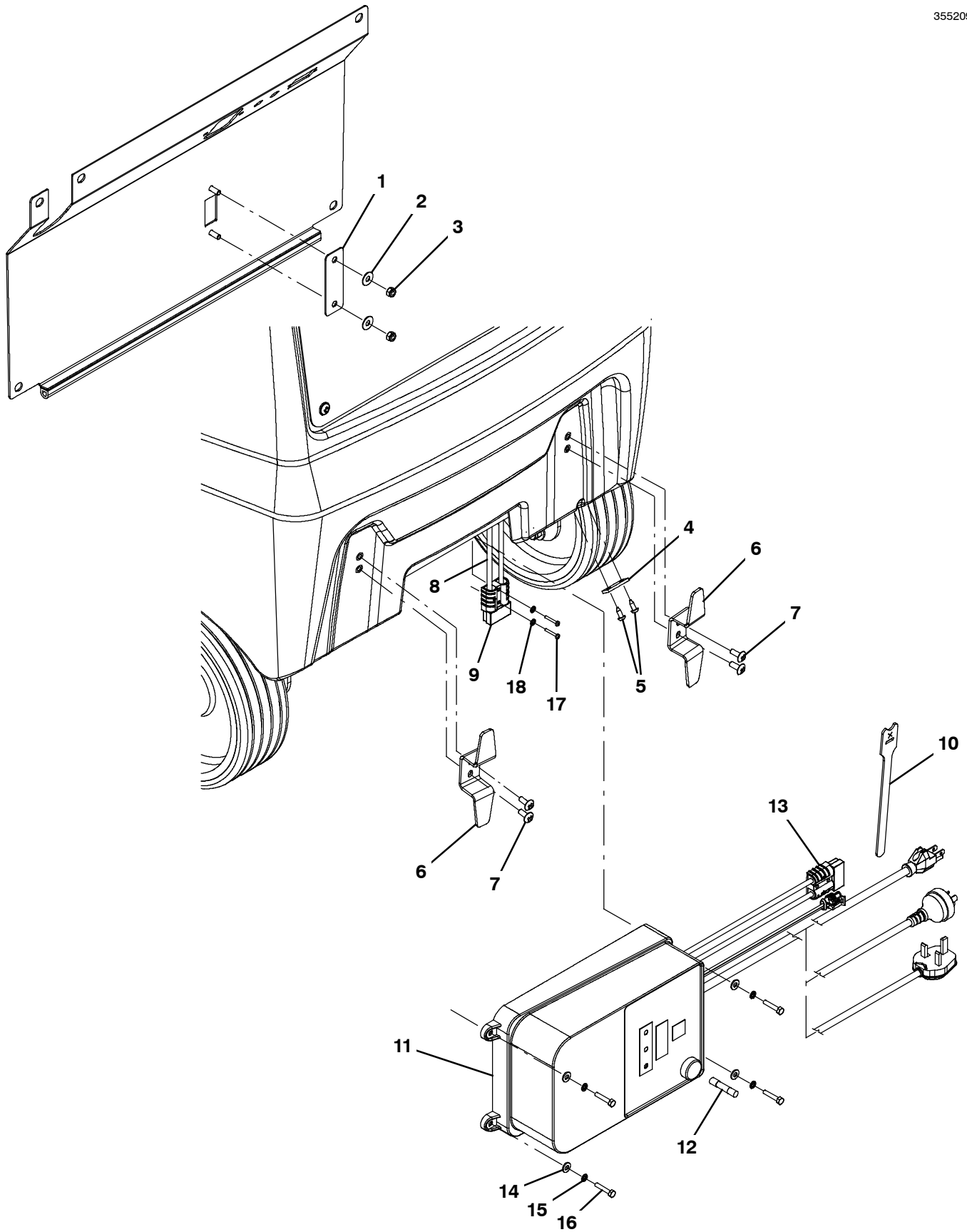


## BATTERY GROUP, WET 435AH

Ref.	Part No.	Serial Number	Description	Qty.
1	59996	(00000000-	) Cable, 02ga 13.0l Blk .34ring /.34ring	5
2	1205540	(00000000-	) Boot, Terminal, Battery, 1/0- 2/0ga, Blk	12
3	630375	(00000000-	) Spacer, Battery, Foam, 1.25 X 3.3 X 13.7	6
4	222682	(00000000-	) Strap, Poly, Webbing 1.0 X 100.0	2
5	1204146	(00000000-	) Battery, Wet, 06vdc 435ah, W/ Box (Includes Hardware)	6
6	1200734	(00000000-	) Tray, Battery [Orion]	2
7	1205990	(00000000-	) Cable Assy, 02ga Red, .31ring/Pp180	1
8	1201383	(00000000-	) Harness, Battery, Orion	1

ON-BOARD CHARGER GROUP

355209





## ON-BOARD CHARGER GROUP

Ref.	Part No.	Serial Number	Description	Qty.	
1	1202117	(00000000-	) Cover, Chrgr, Panel, Ele	1	
2	01684	(00000000-	) Washer, Flat, 0.27b 0.69d .05, Ss	2	
3	08712	(00000000-	) Nut, Hex, Lock, M6 X 1.00, NI, Ss	2	
4	600168	(00000000-	) Plate, Clamp, Strap	1	
5	1009324	(00000000-	) Screw, Pan, Phl, 10- 16 X 0.50,Blk[Typ17]	2	
6	1202266	(00000000-	) Hook, Cord, Dbl	2	
7	1202143	(00000000-	) Screw, Trs, M6 X 1.00 X 16, Phl, NI, Blk	4	
▽	8	1201394	(00000000-	) Harness, Charger, On Board [Orion]	1
▲	9	130155	(00000000-	) Connector, Battery, 6ga 50a, Gray[2cont]	1
	10	1067526	(00000000-	) Fastener, 8.0l [Hook And Loop]	1
▽	11	9011001	(00000000-	) Charger Kit, 36vdc 120vac, On- Brd, [Na]	1
▲	12	1206662	(00000000-	) Fuse, 015a, 250vac [Baf- 15]	1
▲	13	130155	(00000000-	) Connector, Battery, 6ga 50a, Gray[2cont]	1
▽	11	9011002	(00000000-	) Charger Kit, 36vdc 230vac, On- Brd, [Aus]	1
▲	12	1206662	(00000000-	) Fuse, 015a, 250vac [Baf- 15]	1
▲	13	130155	(00000000-	) Connector, Battery, 6ga 50a, Gray[2cont]	1
▽	11	9011003	(00000000-	) Charger Kit, 36vdc 230vac, On- Brd, [UK]	1
▲	12	1206662	(00000000-	) Fuse, 015a, 250vac [Baf- 15]	1
▲	13	130155	(00000000-	) Connector, Battery, 6ga 50a, Gray[2cont]	1
	14	01683	(00000000-	) Washer, Flat, 10, Ss	4
	15	07514	(00000000-	) Washer, Lock, Int, 10, Ss	4
	16	12316	(00000000-	) Screw, Hex, M5 X 0.80 X 25, Ss	4
	17	06922	(00000000-	) Screw, Pan, Phl, M3 X 0.50 X 20, 4.8	2
	18	140019	(00000000-	) Washer, Lock, Ext, 06	2

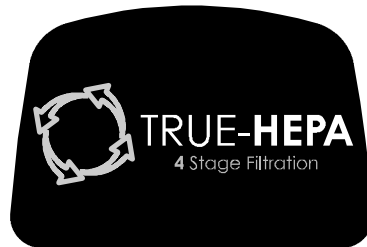
▽ ASSEMBLY

▲ INCLUDED IN ASSEMBLY

LABEL GROUP

**B10**

**TENNANT**



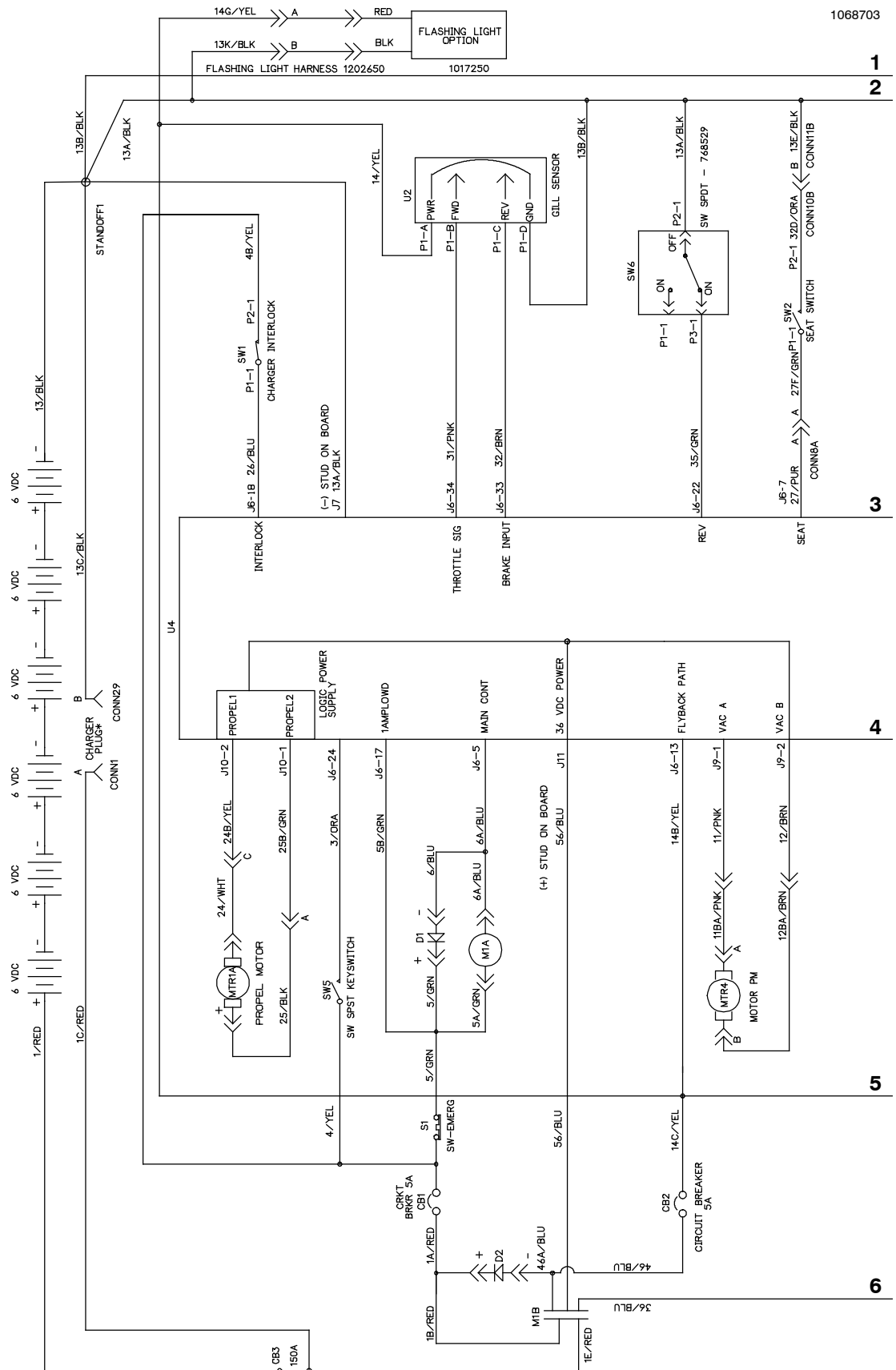
## LABEL GROUP

---

Ref.	Part No.	Serial Number	Description	Qty.
1	1204362	(00000000-	) Label, Set, Info/Hzrd [Na/Ce] [B10]	1
2	1202133	(00000000-	) Label, Model, B10	2
3	1205477	(00000000-	) Nameplate, Tennant, Dome, 5.5in	1
4	1205356	(00000000-	) Label, True- Hepa [Filtration]	1

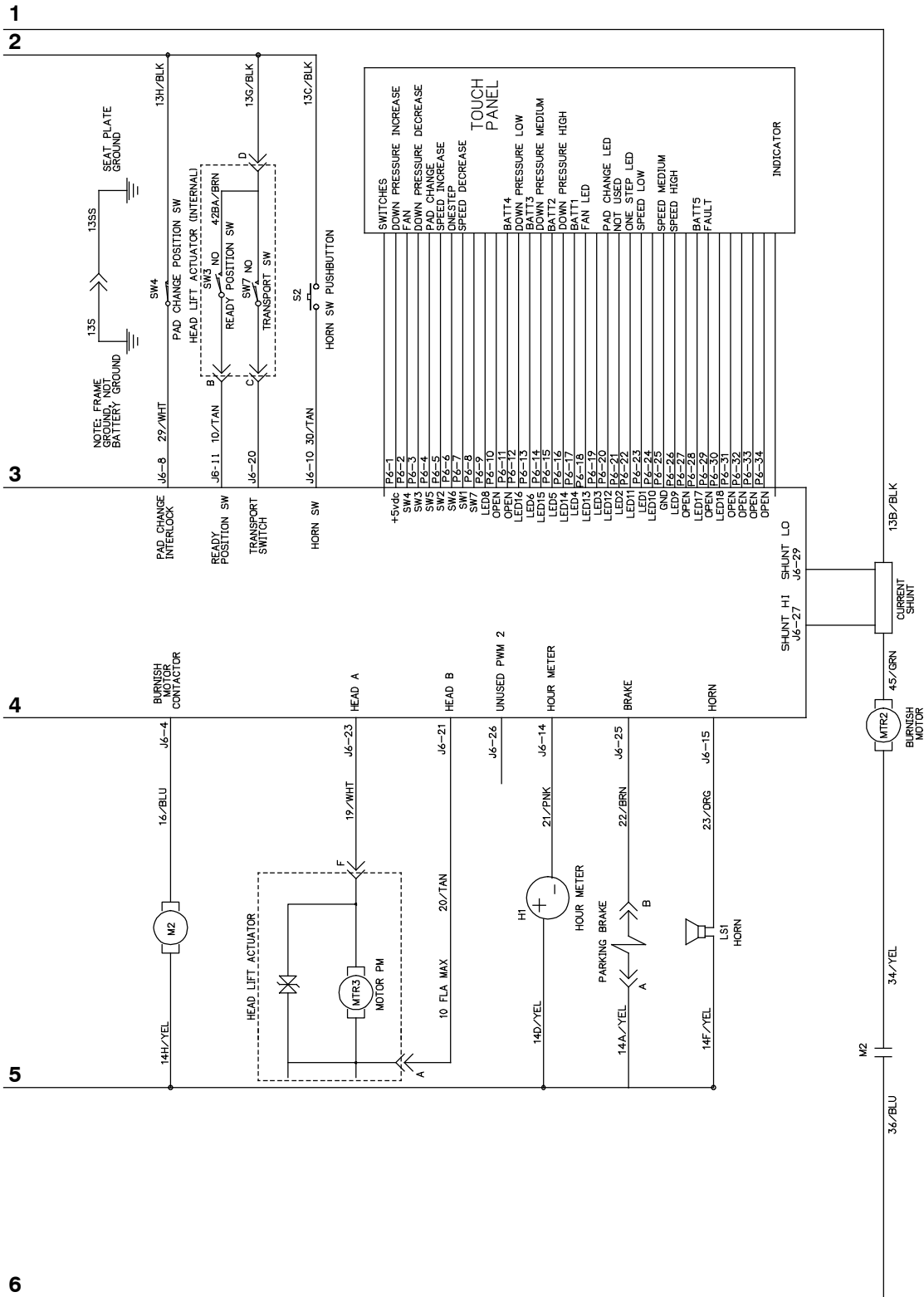
ELECTRICAL SCHEMATIC

1068703



ELECTRICAL SCHEMATIC

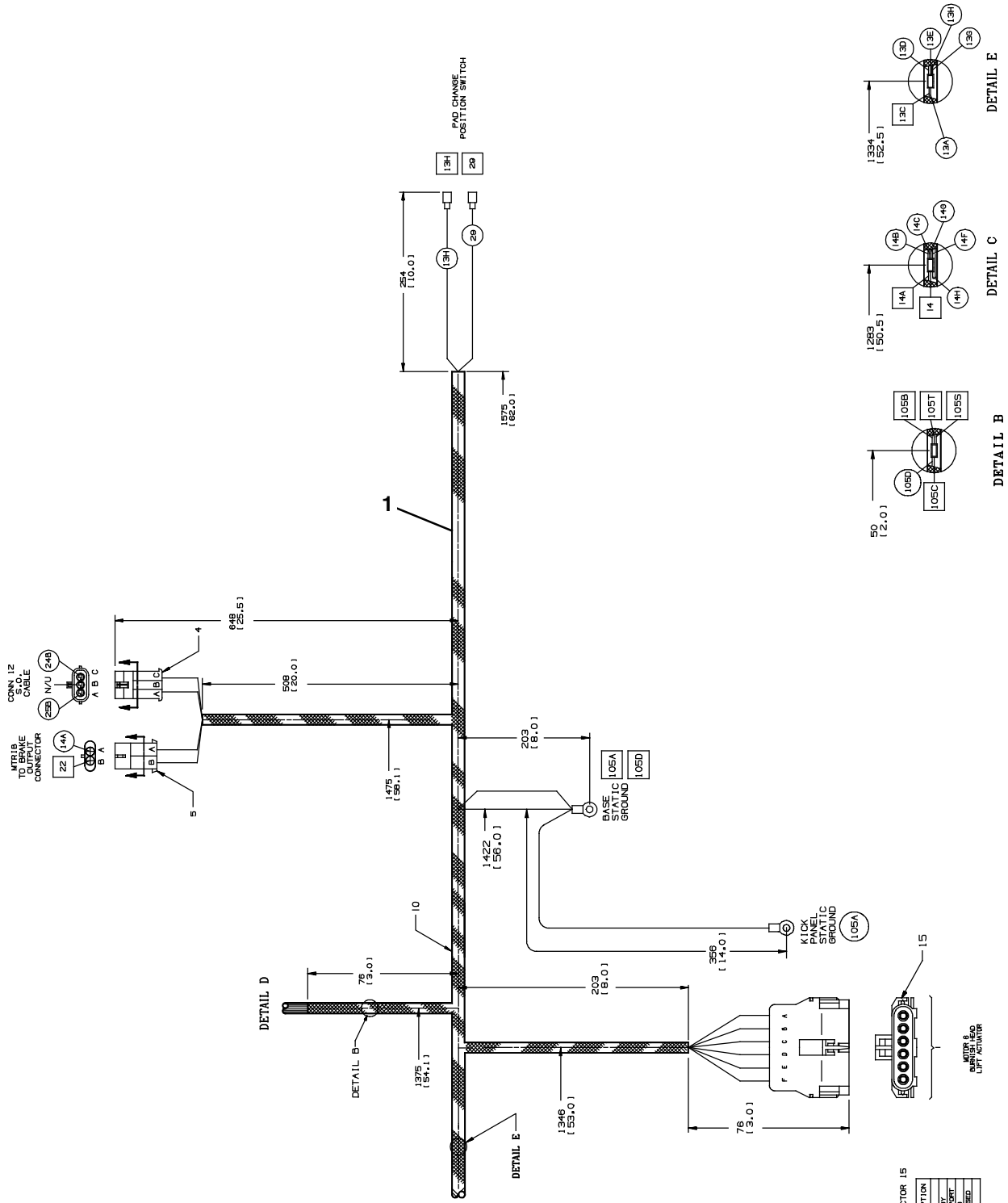
1068703





HARNES GROUP, MAIN - CONT'D

355186



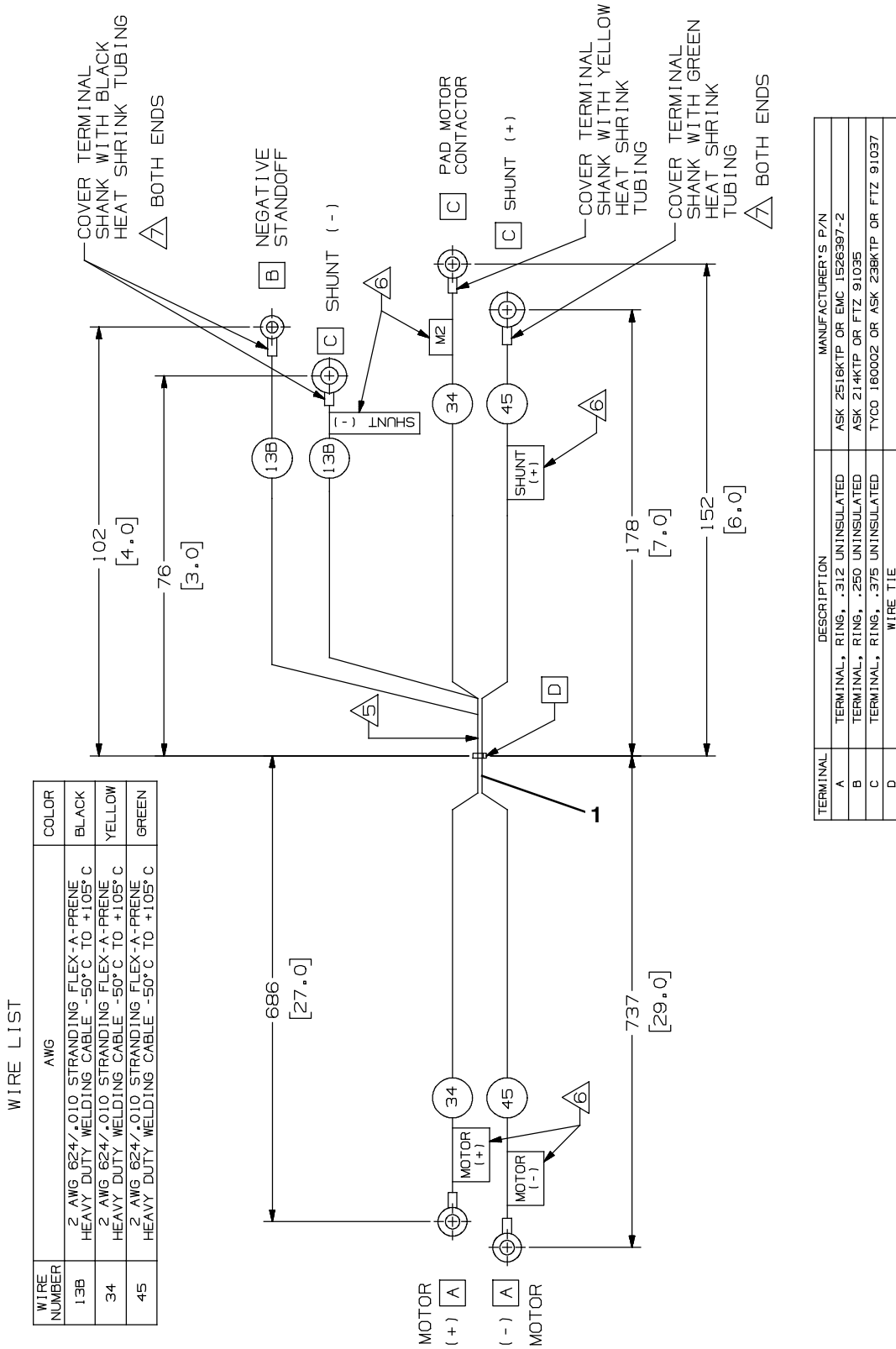
TERMINATIONS FOR CONNECTOR 15

POSITION	WIRE	DESCRIPTION
A	20	XM
B	10	RESISTOR
C	10	TRIP POINT
D	20	GROUND
E	10	NOT USED





HARNESS GROUP, MOTOR



Ref.	Part No.	Serial Number	Description	Qty.
1	1069866	(00000000-	) Harness, Motor, [Orion]	1

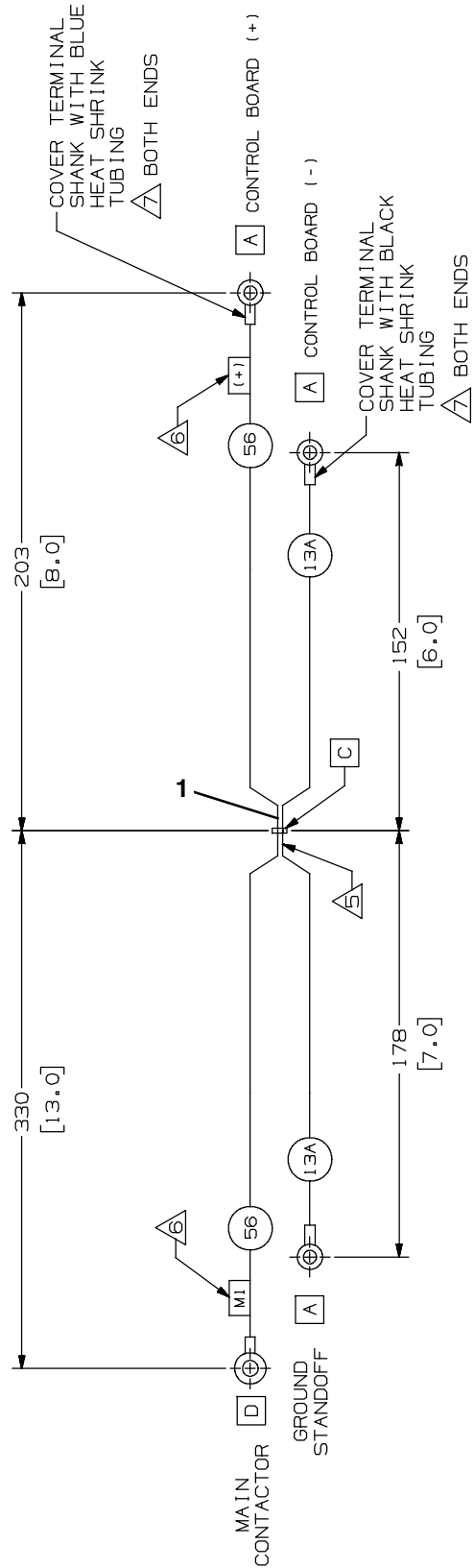
HARNESS GROUP, CONTROL BOARD

355210

WIRE LIST

WIRE NUMBER	AWG	COLOR
13A	2 AWG 624/.010 STRANDING FLEX-A-PRENE HEAVY DUTY WELDING CABLE -50°C TO +105°C	BLACK
56	2 AWG 624/.010 STRANDING FLEX-A-PRENE HEAVY DUTY WELDING CABLE -50°C TO +105°C	BLUE (PREFERRED) BLACK (ALTERNATE)

TRM	DESCRIPTION	MANUFACTURER'S P/N(S)
A	TERMINAL, RING, .250 UNINSULATED	ASK 214KTP, OR, ASK 214L FTZ 91035 MOLEX 19221-0418; OPTIONAL MOLEX 19221-0419 AND SOLDER DIPPING
B	NOT USED	NOT USED
C	WIRE TIE	
D	TERMINAL, RING, 1.0MM, UNINSULATED	TYCO 160002 ASK 238KTP, OR ASK 238L, OR, FTZ 91037 MOLEX 19221-0235; OPTIONAL MOLEX 19221-0380 AND SOLDER DIPPING

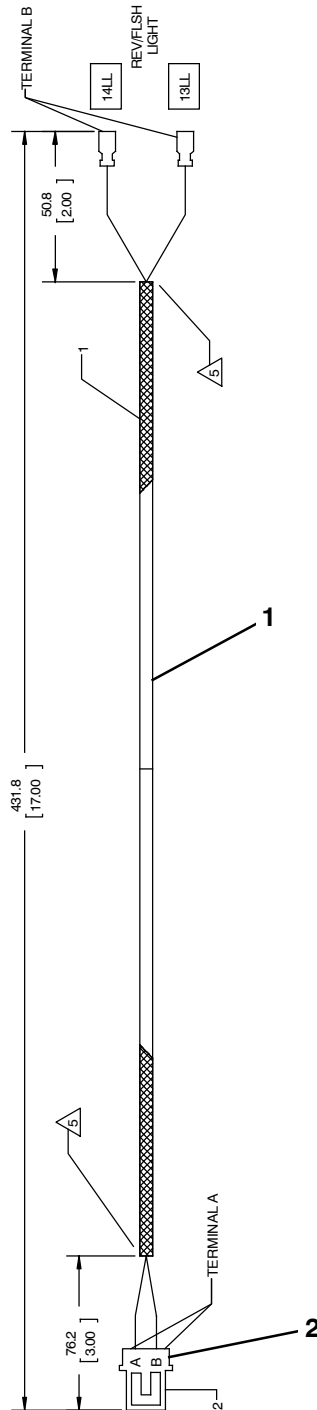


Ref.	Part No.	Serial Number	Description	Qty.
1	1070076	(00000000-	) Harness, Control Board [Orion]	1

HARNES GROUP, LIGHT

355213

WIRE #	AWG	COLOR	WIRE SPEC	TERMINAL A	TERMINAL B
13LL	18	BLK	UL-1015/AWM	P.E. 12077411 FEMALE TERMINAL WITH CABLE SEAL	BULLET .156F
14LL	18	YEL	UL-1015/AWM	P.E. 12077411 FEMALE TERMINAL WITH CABLE SEAL	BULLET .156F



ITEM	DESCRIPTION	QTY
1	BLACK NYLON BRAIDING	AS NEEDED
2	CONNECTOR BODY 2F, 280MP/SERIES P.E. 15300027 CONNECTOR TPA, 280MP/SERIES PE. 15300014	1

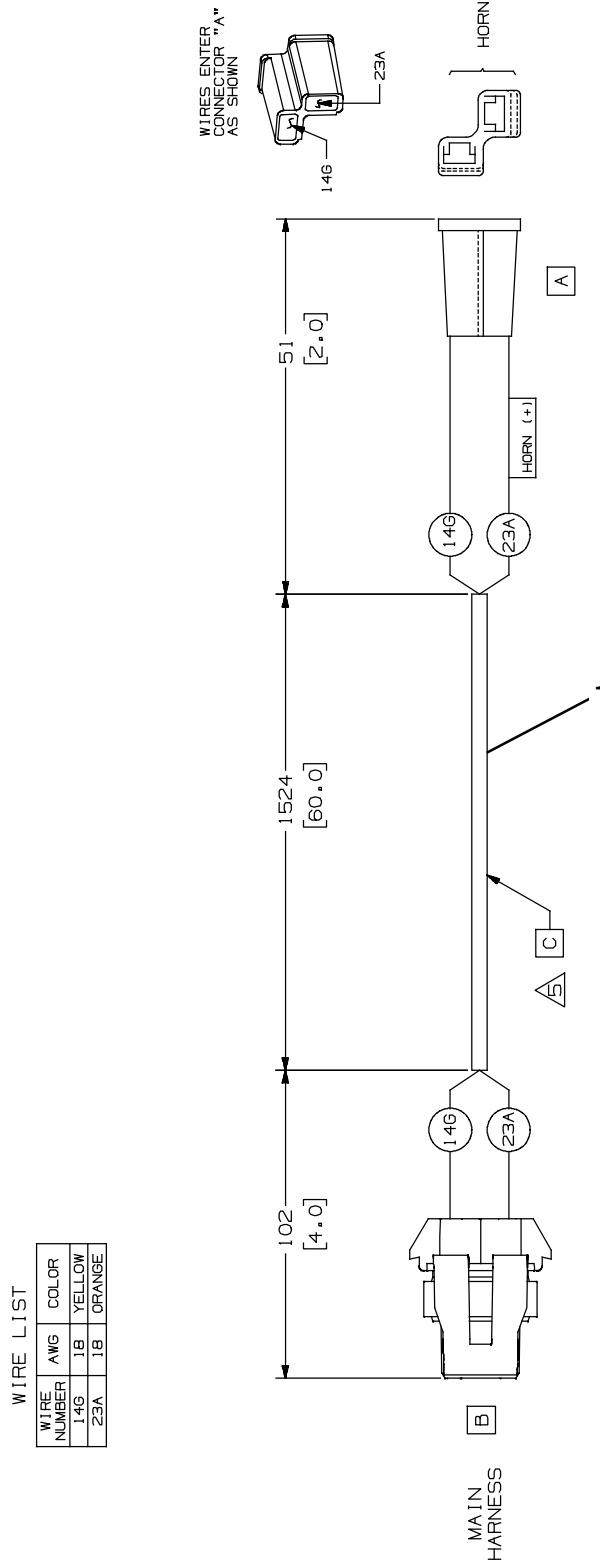
Ref.	Part No.	Serial Number	Description	Qty.
▽	1	1202650	(00000000- ) Harness, Light [Orion]	1
▲	2	78950	(00000000- ) Connector, Fem, 2cav, Mp280 Sealed (Connector Only - No Assembly Available)	1
▲	2	25837	(00000000- ) Terminal, Fem, Mp280, Sealed, 22- 20ga	2
▲	2	25830	(00000000- ) Seal, Wire, 18- 22ga [Wp / Mp280 Sealed]	2
▲	2	78952	(00000000- ) Lock, Secondary, 2cav, Mp280 Sealed	1

▽ ASSEMBLY

▲ INCLUDED IN ASSEMBLY

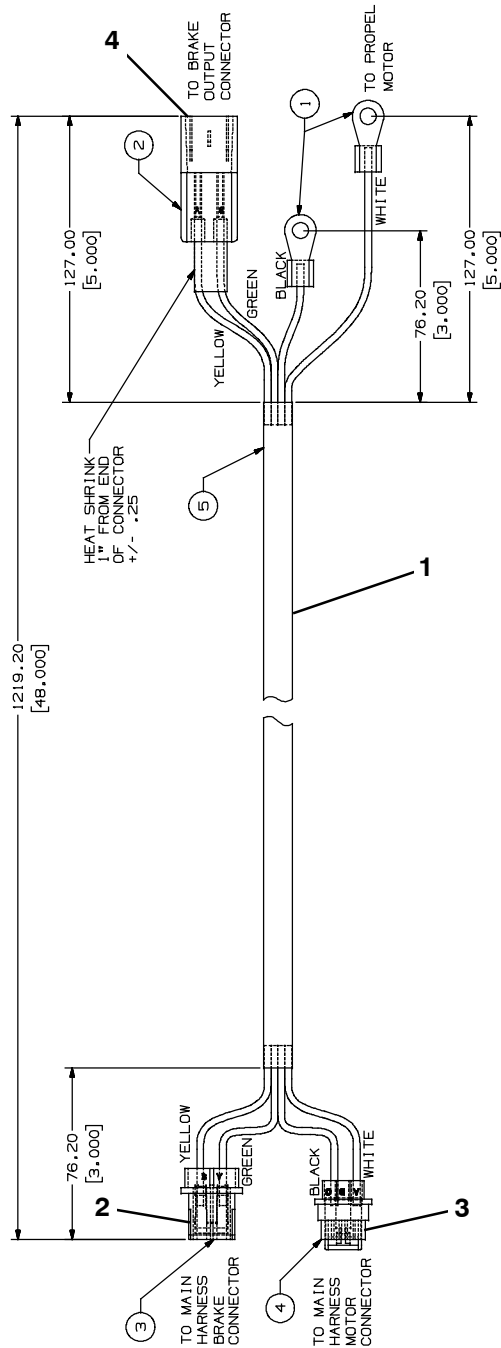
HARNESS GROUP, ALARM

355211



Ref.	Part No.	Serial Number	Description	Qty.
1	1070046	(00000000- )	Harness, Alarm, Orion	1

HARNESS GROUP, MOTOR BRAKE



ITEM	P/N	DESCRIPTION	QTY.
1	-----	TERMINAL, RING .343 ID REF X .625 OD MAX WITH HEAT SHRINK INS	2
2	-----	CONNECTOR, MAL, 2CAV, MP280 SEALED	1
3	-----	CONNECTOR, FEM, 2CAV, MP280 SEALED	1
4	-----	CONNECTOR, FEM, 3CAV, MP630 SEALED	1
5	-----	MULTI CONDUCTOR CORD, TWO 10 AWG (ONE BLACK AND ONE WHITE) X TWO 18 AWG (ONE GREEN AND ONE YELLOW), ENDUROFLEX CRXM CABLE	AS REQ'D

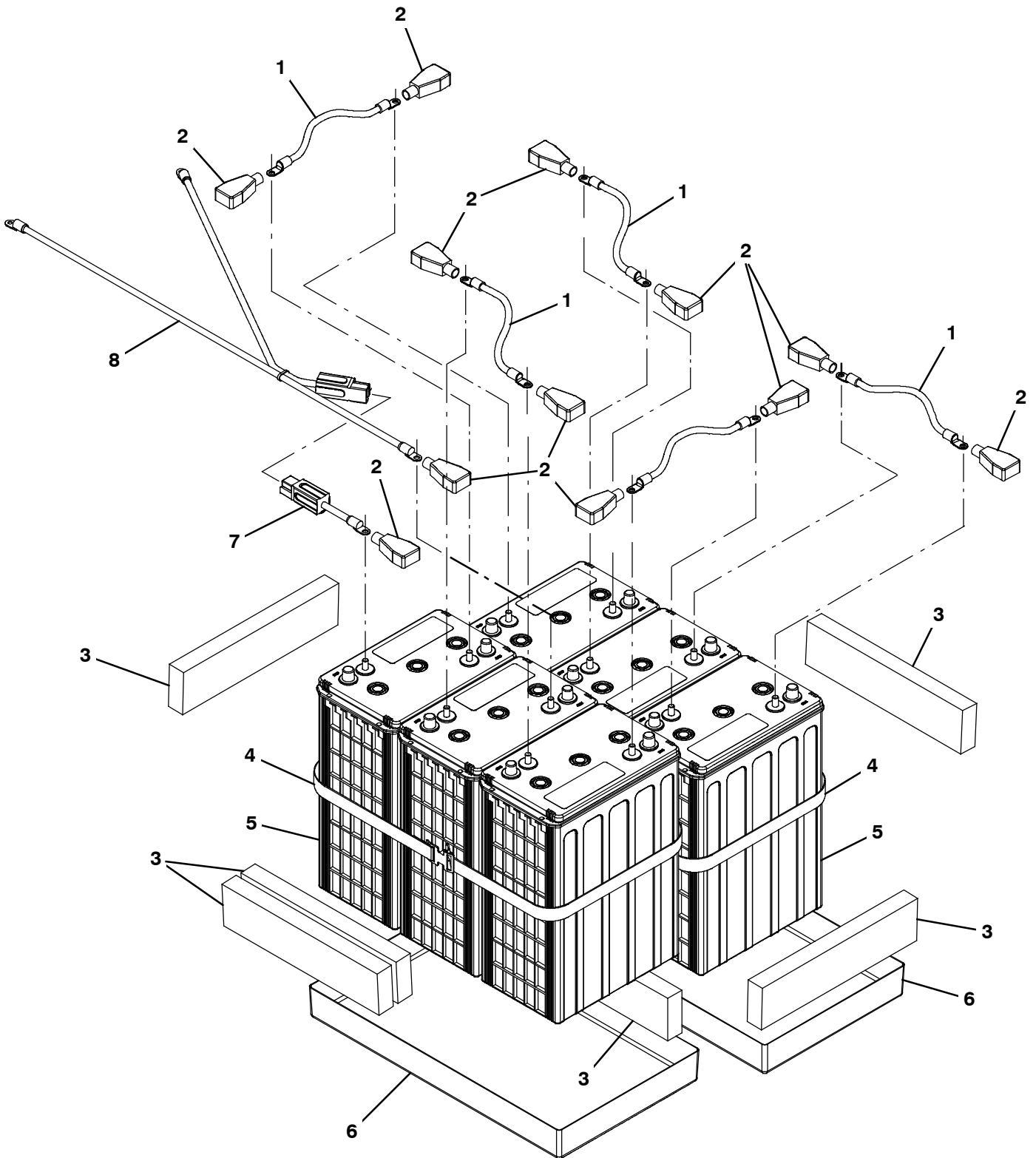
Ref.	Part No.	Serial Number	Description	Qty.
▽	1	1065808	(00000000- ) Harness, Motor, Brake [T7/Ssr]	1
▲	2	78950	(00000000- ) Connector, Fem, 2cav, Mp280 Sealed (Connector Only - No Assembly Available)	1
▲	2	25837	(00000000- ) Terminal, Fem, Mp280, Sealed, 22- 20ga	2
▲	2	25830	(00000000- ) Seal, Wire, 18- 22ga [Wp / Mp280 Sealed]	2
▲	2	78952	(00000000- ) Lock, Secondary, 2cav, Mp280 Sealed	1
▲	3	1047186	(00000000- ) Connector, Fem, 3 Recept [Mp630]	1
▲	4	25850	(00000000- ) Connector, Mal, 2cav, Mp280 Sealed	1
▲	4	25832	(00000000- ) Terminal, Mal, Mp280, Sealed, 18- 16ga	2

▽ ASSEMBLY

▲ INCLUDED IN ASSEMBLY

BATTERY GROUP, AGM 390AH

355207

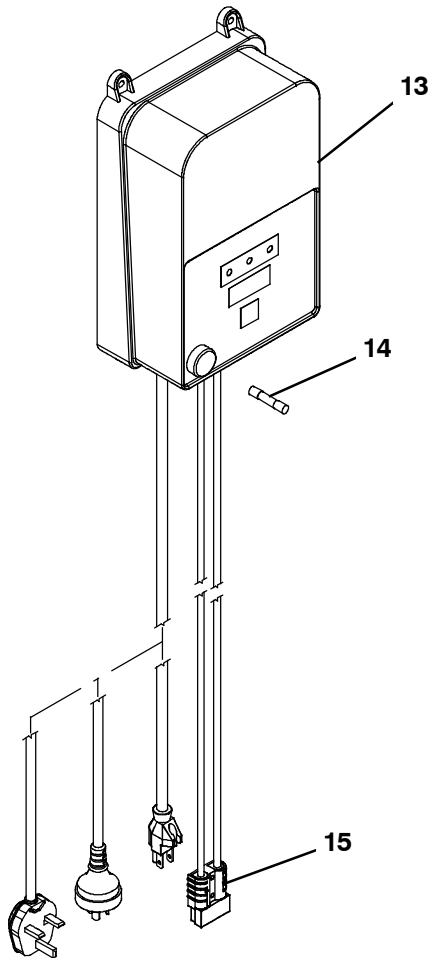
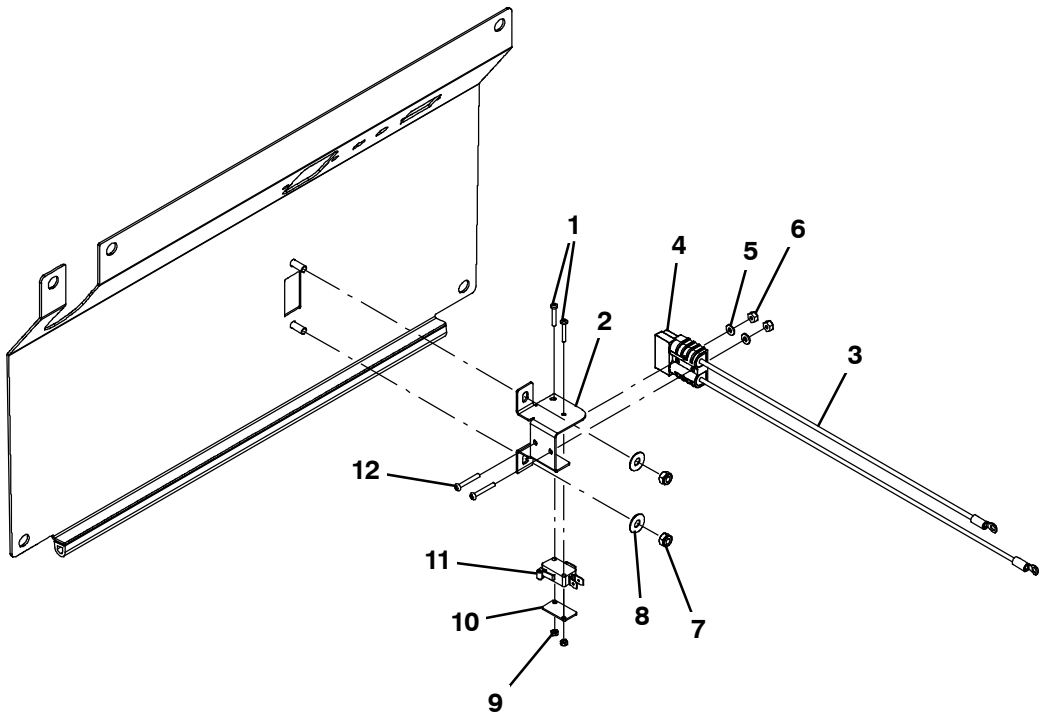


**BATTERY GROUP, AGM 390AH**

Ref.	Part No.	Serial Number	Description	Qty.
1	59996	(00000000-	) Cable, 02ga 13.0l Blk .34ring /.34ring	5
2	1205540	(00000000-	) Boot, Terminal, Battery, 1/0- 2/0ga, Blk	12
3	630375	(00000000-	) Spacer, Battery, Foam, 1.25 X 3.3 X 13.7	6
4	222682	(00000000-	) Strap, Poly, Webbing 1.0 X 100.0	2
5	1204248	(00000000-	) Battery, Agm, 06vdc 390ah, W/Box (Includes Hardware)	6
6	1200734	(00000000-	) Tray, Battery [Orion]	2
7	1205990	(00000000-	) Cable Assy, 02ga Red, .31ring/Pp180	1
8	1201383	(00000000-	) Harness, Battery, Orion	1

OFF-BOARD CHARGER GROUP

355208





OFF- BOARD CHARGER GROUP

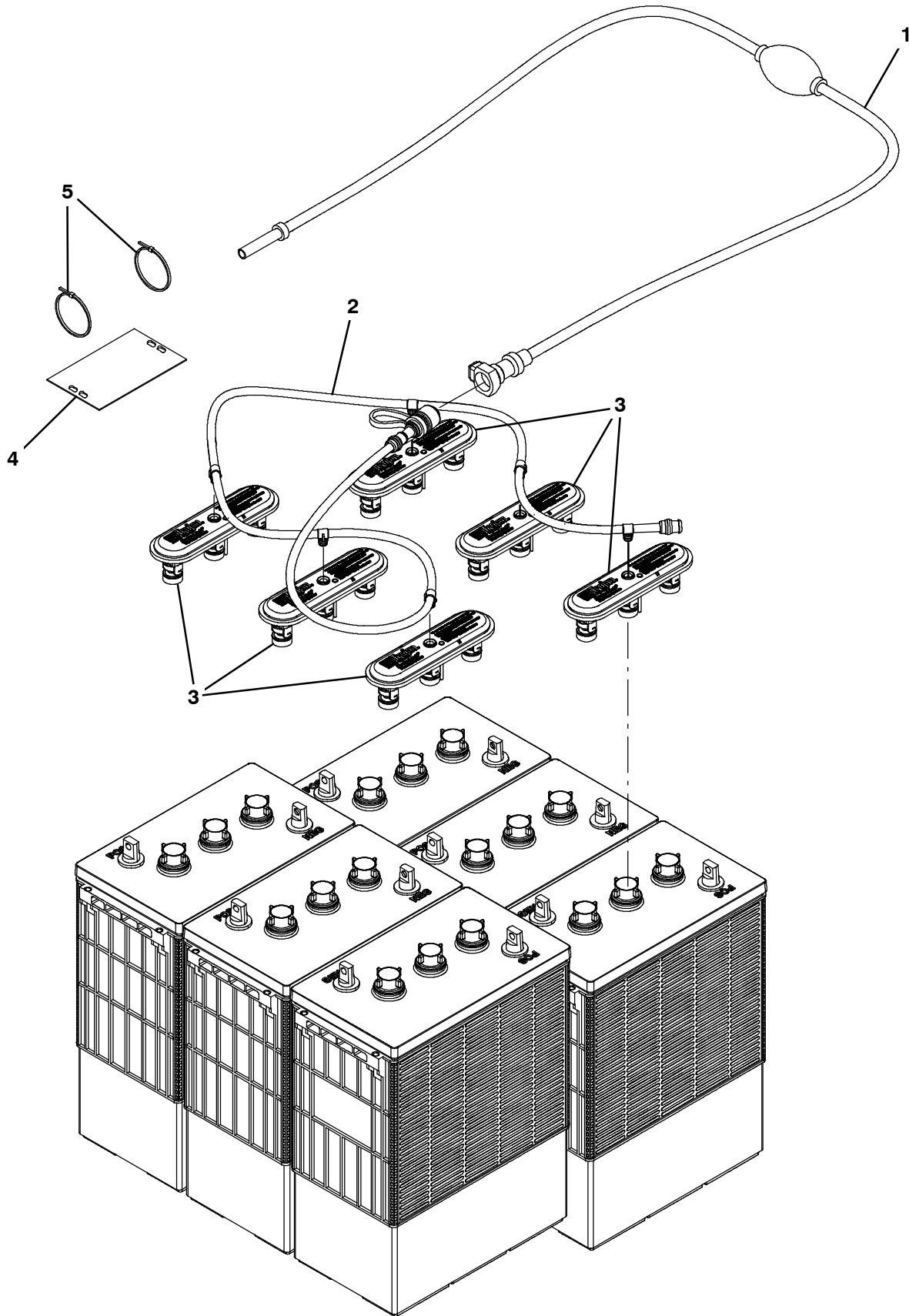
Ref.	Part No.	Serial Number	Description	Qty.	
1	06922	(00000000-	) Screw, Pan, Phl, M3 X 0.50 X 20, 4.8	2	
2	1200885	(00000000-	) Bracket, Connector, Plug	1	
▽	3	1201389	(00000000-	) Harness, Charger, Off Board [Orion]	1
▲	4	130155	(00000000-	) Connector, Battery, 6ga 50a, Gray[2cont]	1
5	19064	(00000000-	) Washer, Flat, 0.16b 0.38d .05, Pl, 06	2	
6	75939	(00000000-	) Nut, Hex, Lock, #06- 32, NI	2	
7	08712	(00000000-	) Nut, Hex, Lock, M6 X 1.00, NI, Ss	2	
8	01684	(00000000-	) Washer, Flat, 0.27b 0.69d .05, Ss	2	
9	579211	(00000000-	) Nut, Hex, Lock, M3 X 0.50, NI, Ss	2	
10	601359	(00000000-	) Plate, Backing, Switch	1	
11	600437	(00000000-	) Switch, Snap, 15a, Rlr	1	
12	25005	(00000000-	) Screw, Pan, Phl, 06- 32 X 1.00, G1	2	
▽	13	9011009	(00000000-	) Charger Kit, 36vdc 120vac, Off- Brd, [Na]	1
▲	14	1206662	(00000000-	) Fuse, 015a, 250vac [Baf- 15]	1
▲	15	130155	(00000000-	) Connector, Battery, 6ga 50a, Gray[2cont]	1
▽	13	9011010	(00000000-	) Charger Kit, 36vdc 230vac, Off- Brd [Aus]	1
▲	14	1206662	(00000000-	) Fuse, 015a, 250vac [Baf- 15]	1
▲	15	130155	(00000000-	) Connector, Battery, 6ga 50a, Gray[2cont]	1
▽	13	9011011	(00000000-	) Charger Kit, 36vdc 230vac, Off- Brd [Uk]	1
▲	14	1206662	(00000000-	) Fuse, 015a, 250vac [Baf- 15]	1
▲	15	130155	(00000000-	) Connector, Battery, 6ga 50a, Gray[2cont]	1

▽ ASSEMBLY

▲ INCLUDED IN ASSEMBLY

HYDROLINK® BATTERY WATERING SYSTEM KIT

355205



**HYDROLINK® BATTERY WATERING SYSTEM KIT**

	<b>Ref.</b>	<b>Part No.</b>	<b>Serial Number</b>	<b>Description</b>	<b>Qty.</b>
▽		9010301*	(00000000-	) Pump Kit, Fill, Battery,36vdc,Ci[Trojan]	1
▲	1	1058939	(00000000-	) Pump Kit, Fill, Battery	1
▲	2	1201997	(00000000-	) Tube, Water, Battery, 36vdc [Trojan]	1
▲	3	1204142	(00000000-	) Cap, Fill, Battery [Trojan]	6
▲	4	1071084	(00000000-	) Label, Tag, Battery [Hydrolink Watering]	1
▲	5	130773	(00000000-	) Tie, Cable, Nyl, 11.0l, .14w, 3.0 Max. D	2

▽ ASSEMBLY

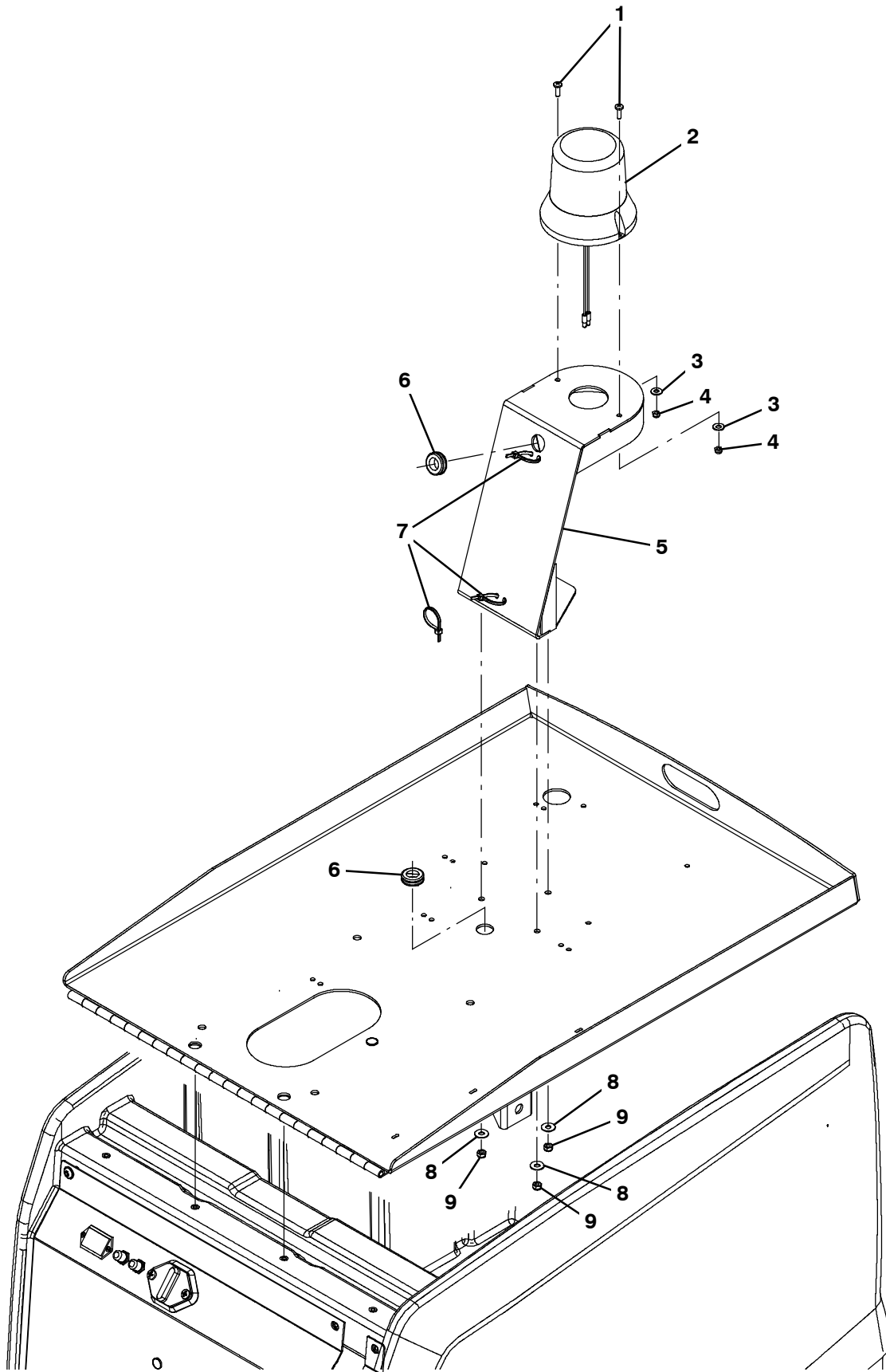
▲ INCLUDED IN ASSEMBLY

\*THIS KIT IS INTENDED FOR USE WITH TROJAN® LEAD ACID BATTERIES ONLY.

HYDROLINK® IS A REGISTERED TRADEMARK OF TROJAN® BATTERY COMPANY.

FLASHING LIGHT KIT

355203



**FLASHING LIGHT KIT**

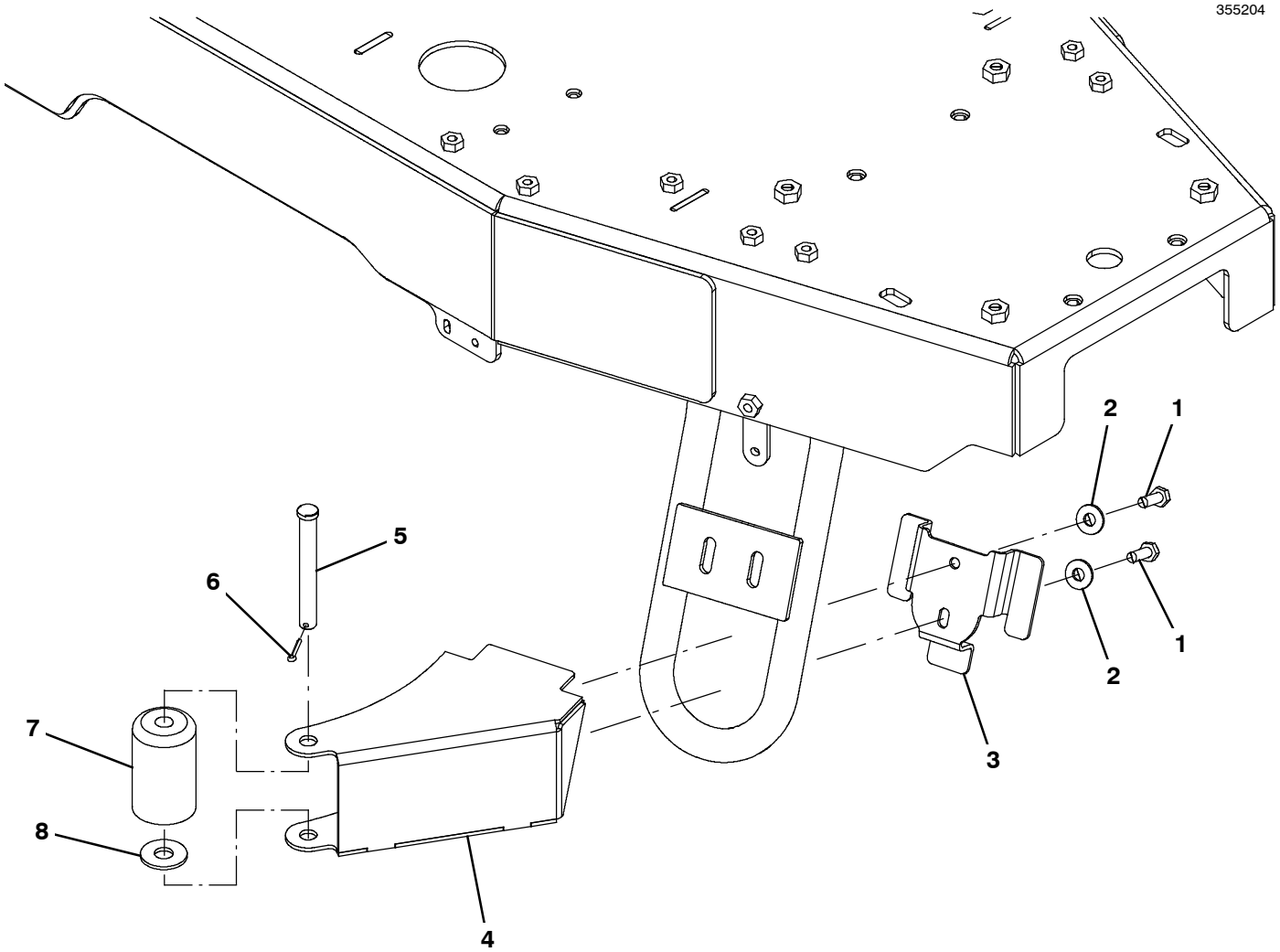
	<b>Ref.</b>	<b>Part No.</b>	<b>Serial Number</b>	<b>Description</b>	<b>Qty.</b>
▽		9013017	(00000000-	) Light Kit, Strobe, Ci, [B10/Sg Rider]	1
▲	1	1045487	(00000000-	) Screw, Pan, Phl, M5 X 0.80 X 16, Blk	2
▲	2	1017250	(00000000-	) Light, Strobe, Amb, 12- 48vdc	1
▲	3	01683	(00000000-	) Washer, Flat, 10, Ss	2
▲	4	09739	(00000000-	) Nut, Hex, Lock, M5 X 0.80, NI, Ss	2
▲	5	1202081	(00000000-	) Bracket Wldt, Light, Flsh	1
▲	6	10632- 2	(00000000-	) Grommet, Rbr, 0.62id, F/0.9h, .12 Matl	2
▲	7	130773	(00000000-	) Tie, Cable, Nyl, 11.0l, .14w, 3.0 Max. D	3
▲	8	01684	(00000000-	) Washer, Flat, 0.27b 0.69d .05, Ss	3
▲	9	08712	(00000000-	) Nut, Hex, Lock, M6 X 1.00, NI, Ss	3
▲	N/S	1202650	(00000000-	) Harness, Light [Orion]	1
▲	N/S	9011012	(00000000-	) Conduit, Ele, Afmkt, .26id, 2ft (1205067)	1

▽ ASSEMBLY

▲ INCLUDED IN ASSEMBLY

WALL ROLLER (686 MM / 27 IN HEAD) GROUP

355204

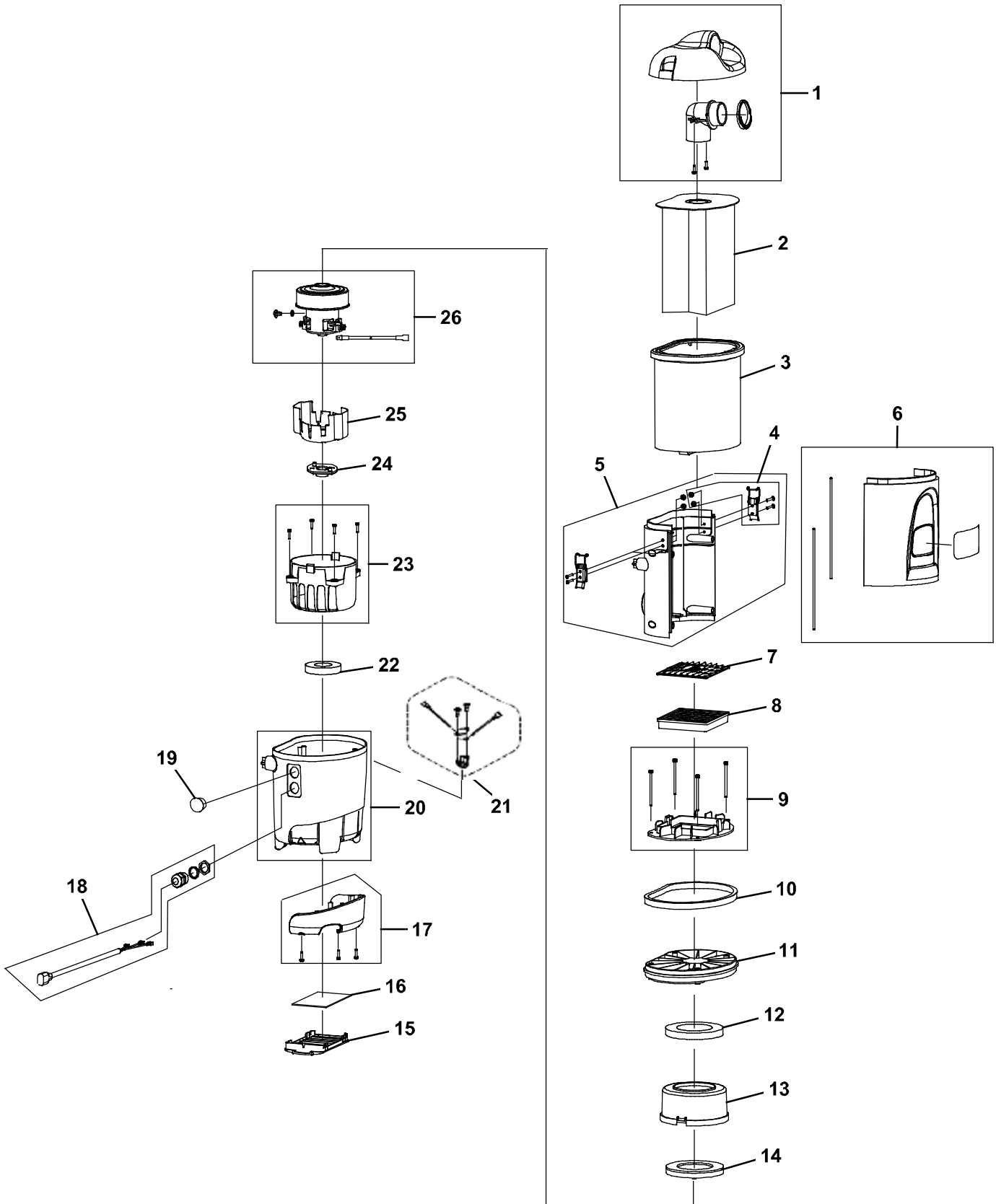


**WALL ROLLER (686 MM / 27 IN HEAD) GROUP**

Ref.	Part No.	Serial Number	Description	Qty.
1	12333	(00000000-	) Screw, Hex, M8 X 1.25 X 25, Ss, NI	2
2	01685	(00000000-	) Washer, Flat, 0.38b 0.88d .08, Ss	2
3	1202105	(00000000-	) Bracket, Mtg, Rlr, Wall	1
4	1206643	(00000000-	) Bracket Wldt, Rlr,Wall	1
5	51528	(00000000-	) Pin, Clevis, 0.50d X	1
6	08346	(00000000-	) Pin, Cotter, .125 X 0.75	1
7	222178	(00000000-	) Roller, Pyu, 1.88d 0.53b 3.05l	1
8	41619	(00000000-	) Washer, Flat, 0.56b 1.38d .11, Ss	1

ACTIVE DUST CONTROL BREAKDOWN, 1200929

355198





**ACTIVE DUST CONTROL BREAKDOWN, 1200929**

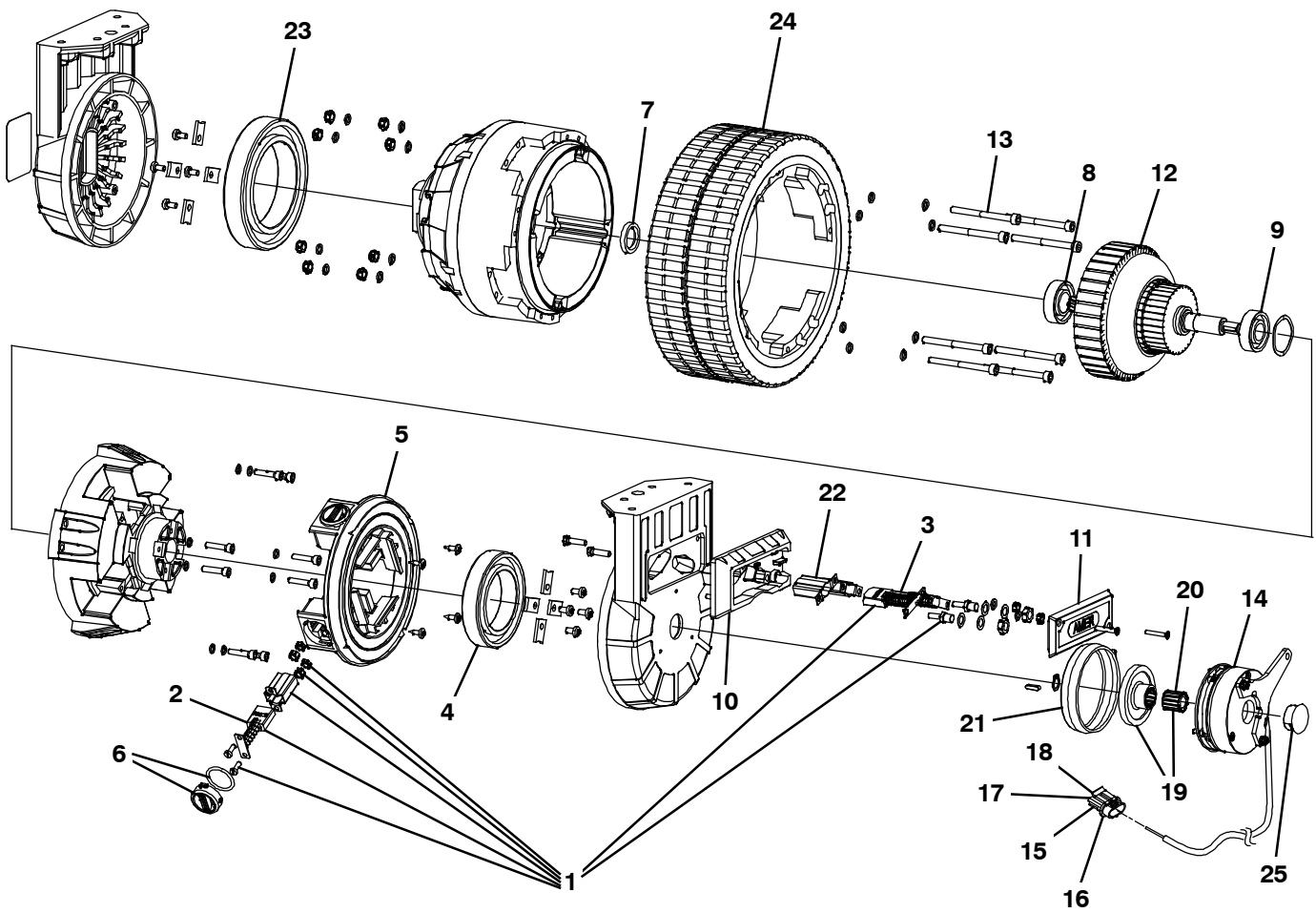
Ref.	Part No.	Serial Number	Description	Qty.
▽	1200929	(00000000-	) Vacuum, Recvy, Dust	1
▲	1	9007783	(00000000- ) Cover, Hsng, Fr/ (Includes 2- #8x0.624" Screw)	1
▲	2	9007784	(00000000- ) Bag, Vacuum, 6 Qt [1pick=1pkg/12 Bags] (Qty 1 Included w/ Machine)	1
	2	9007866	(00000000- ) Bag, Vacuum, 6 Qt [1pk=1ctn/16=192 Bags]	1
▲	3	9007785	(00000000- ) Bag, Cloth, Afkmt, 6 Qt (Qty 1 Included w/ Machine)	1
▲	4	9007788	(00000000- ) Latch, Backpack, Fr/ (Includes 4- #8x0.624" Screw & 4- M3 Washer)	1
▲	5	9007789	(00000000- ) Cover, Rear, Fr/ 6 Qt [V- Bp- 6]	1
▲	6	9010838	(00000000- ) Cover, Front, W/Hepa Label	1
▲	7	9007813	(00000000- ) Frame, Fltr, Cap, Fr/	1
▲	8	9007812	(00000000- ) Filter, Hepa, Fr/	1
▲	9	9007811	(00000000- ) Plate, Filter, Fr/ (Includes 4- #8x0.625" Screw)	1
▲	10	9007810	(00000000- ) Seal, Body, Fr/	1
▲	11	9007809	(00000000- ) Cover, Motor, Fr/	1
▲	12	9007806	(00000000- ) Mount, Motor, Kit, Fr/	1
▲	13	9007808	(00000000- ) Shroud, Motor, Top, Fr/	1
▲	14	9007807	(00000000- ) Mount, Motor, Bottom, Fr/	1
▲	15	9007801	(00000000- ) Frame, Fltr, Bottom	1
▲	16	9007800	(00000000- ) Filter, Exhaust [1pick=1pkg] (1 Pkg = 6 Filters) (Qty 1 Included w/ Machine)	1
▲	17	9007799	(00000000- ) Bumper, Fr/ (Includes 3- #8x0.625" Screw)	1
▲	18	9010840	(00000000- ) Cord, Power, W/Strainrelief W/Nut	1
▲	19	9010841	(00000000- ) Plug	1
▲	20	9010839	(00000000- ) Housing, Motor	1
▲	21	9007817	(00000000- ) Switch, Thermal, Fr/ (Includes 2- #6x0.375" Screw)	1
▲	22	9007806	(00000000- ) Mount, Motor, Kit, Fr/	1
▲	23	9007805	(00000000- ) Shroud, Motor, Bottom, Fr/ (Includes 4- #8x0.625" Screw)	1
▲	24	9007804	(00000000- ) Mount, Motor, Bottom, Fr/	1
▲	25	9007803	(00000000- ) Shroud, Motor, Bottom, Fr/	1
▲	26	9007802	(00000000- ) Fan, Vacuum, Backpack, Fr/ (Includes 1- M4x6 Set Screw)	1

▽ ASSEMBLY

▲ INCLUDED IN ASSEMBLY

FRONT DRIVE WHEEL BREAKDOWN, 9008999

355192



## FRONT DRIVE WHEEL BREAKDOWN, 9008999

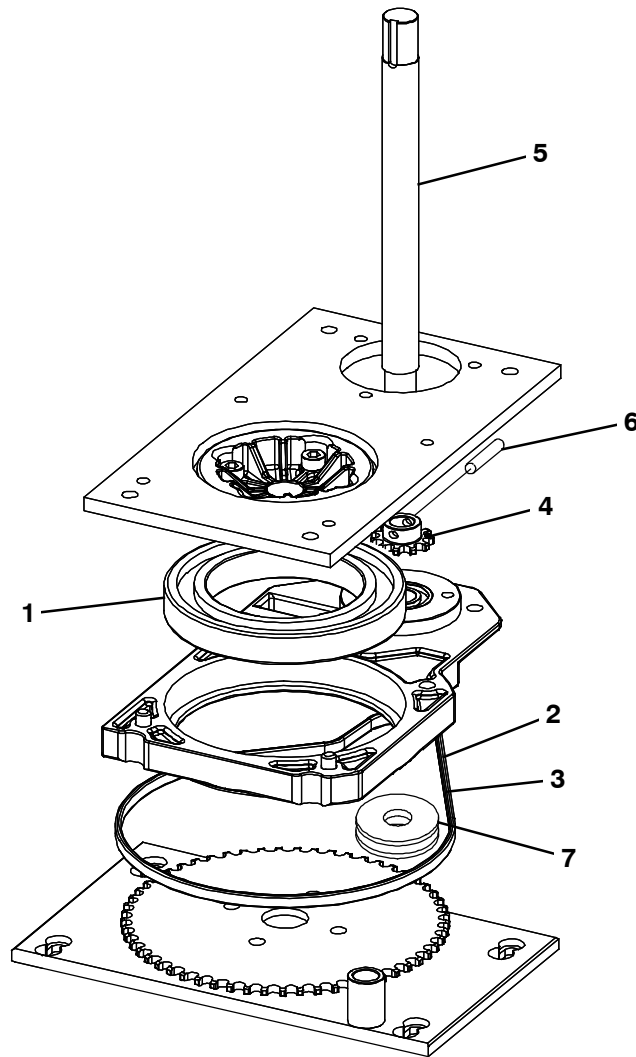
	Ref.	Part No.	Serial Number	Description	Qty.
▽		9008999	(00000000-	) Gearbox Kit, Wheel, 250mm, W/ Connector	1
▲	1	391261	(00000000-	) Vr, Brush Kit, Motor [Amer, 1pick=1kit]	1
▲▽		1029225	(00000000-	) Vr, Brush Kit, Carbon [1 Pac = 4pcs]	1
▲▲	2	1029224	(00000000-	) Vr, Brush, Carbon [1 Pc]	4
▲▽		1029226	(00000000-	) Vr, Brush Kit, Carbon [1 Pac = 2 Pcs]	1
▲▲	3	398492	(00000000-	) Brush, Carbon, Motor, Ele [Amer 1 Pc]	2
▲	4	1029227	(00000000-	) Vr, Bearing, Ball, Brush Side	1
▲	5	1029228	(00000000-	) Vr, Ring, Brushholder	1
▲	6	391262	(00000000-	) Vr, Brush Kit, Cover [Amer]	4
▲	7	391263	(00000000-	) Vr, Seal, Ring [Amer]	1
▲	8	391264	(00000000-	) Vr, Bearing, Gearbox, Side [Amer]	1
▲	9	391265	(00000000-	) Vr, Bearing, Motor Side [Amer]	1
▲	10	391467	(00000000-	) Vr, Box, Ele, Connection	1
▲	11	391468	(00000000-	) Vr, Cover, Ele, Connection	11
▲	12	372867	(00000000-	) Vr, Armature	1
▲	13	1029218	(00000000-	) Vr, Screw, Mount, Wheel	8
▲▽	14	9008896	(00000000-	) Brake Kit, W/Connector	1
▲▲	15	78950	(00000000-	) Connector, Fem, 2cav, Mp280 Sealed	1
▲▲	16	78952	(00000000-	) Lock, Secondary, 2cav, Mp280 Sealed	1
▲▲	17	25837	(00000000-	) Terminal, Fem, Mp280, Sealed, 22- 20ga	2
▲▲	18	25830	(00000000-	) Seal, Wire, 18- 22ga [Wp / Mp280 Sealed]	2
▲▲	19	372870	(00000000-	) Vr, Disc, Brake (Set Includes Spline)	1
▲▲	20	372871	(00000000-	) Vr, Adapter, Brake, Spl (NLA - Replaced By Set 372870)	1
▲	21	372872	(00000000-	) Vr, Sleeve, Rbr	1
▲	22	372877	(00000000-	) Vr, Guide, Brushholder, Slip Ring [Amer]	1
▲	23	372874	(00000000-	) Vr, Bearing, Steering	1
▲	24	391259	(00000000-	) Vr, Tire, Solid, 250mm X 90mm Red	1
▲	25	130161	(00000000-	) Plug, Hole, Rnd, 0.88d, Blk	1

▽ ASSEMBLY

▲ INCLUDED IN ASSEMBLY

## STEERING CONTROL BREAKDOWN, 1019724

355193



Ref.	Part No.	Serial Number	Description	Qty.
▽	1019724	(00000000-	) Steer- Control Assy, Wheel Drive	1
▲	1 372874	(00000000-	) Vr, Bearing, Steering	1
▲	2 372875	(00000000-	) Vr, Chain, Steering	1
▲	3 372876	(00000000-	) Vr, Link, Master	1
▲	4 372881	(00000000-	) Vr, Sprocket	1
▲	5 1029229	(00000000-	) Vr, Shaft, Steering	1
▲	6 1038313	(00000000-	) Vr, Pin, Roll, 06mm X 28mmI[T7/Ssrsteer]	1
▲	7 1043371	(00000000-	) Vr, Pulley, Tens	1

▽ ASSEMBLY

▲ INCLUDED IN ASSEMBLY

